



Technical Information Pole Buildings

BP-14

Department of Building and Planning

The following is a typical cross-section for a residential/agricultural 'pole building'. It may or may not represent the proposed project. If you are using this detail as a portion of your plan submittal, please complete the requested information where indicated. This completed detail, along with any additional information, needs to be submitted with your application and be on site at the time of inspection. The maximum width of a pole building (truss span) is 36 feet. The maximum area of buildings constructed under the provisions of this brochure is limited to 3,000 square feet including lean-to's and can not exceed a 43 pound ground snow load (30 pound roof snow load).

Illustration 1

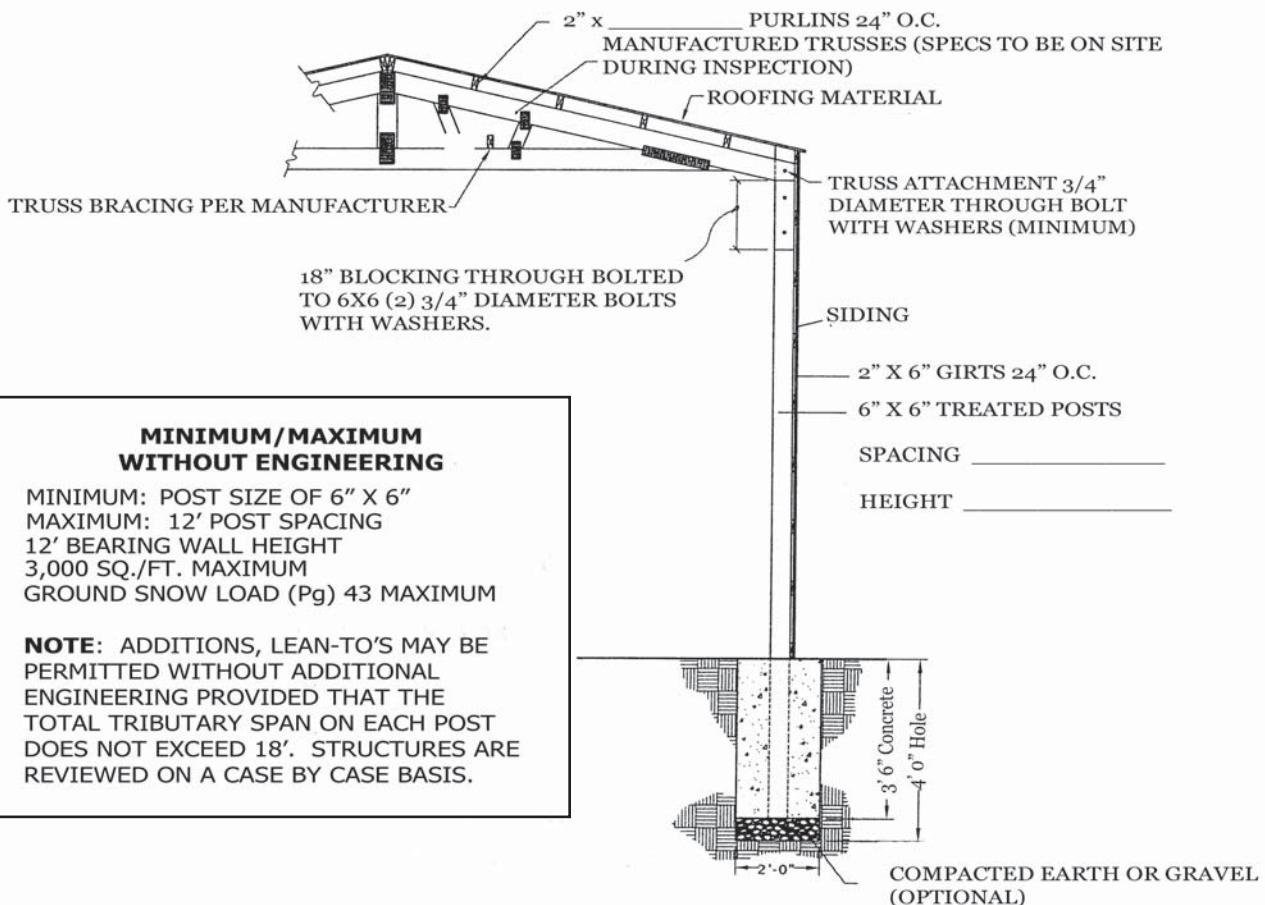
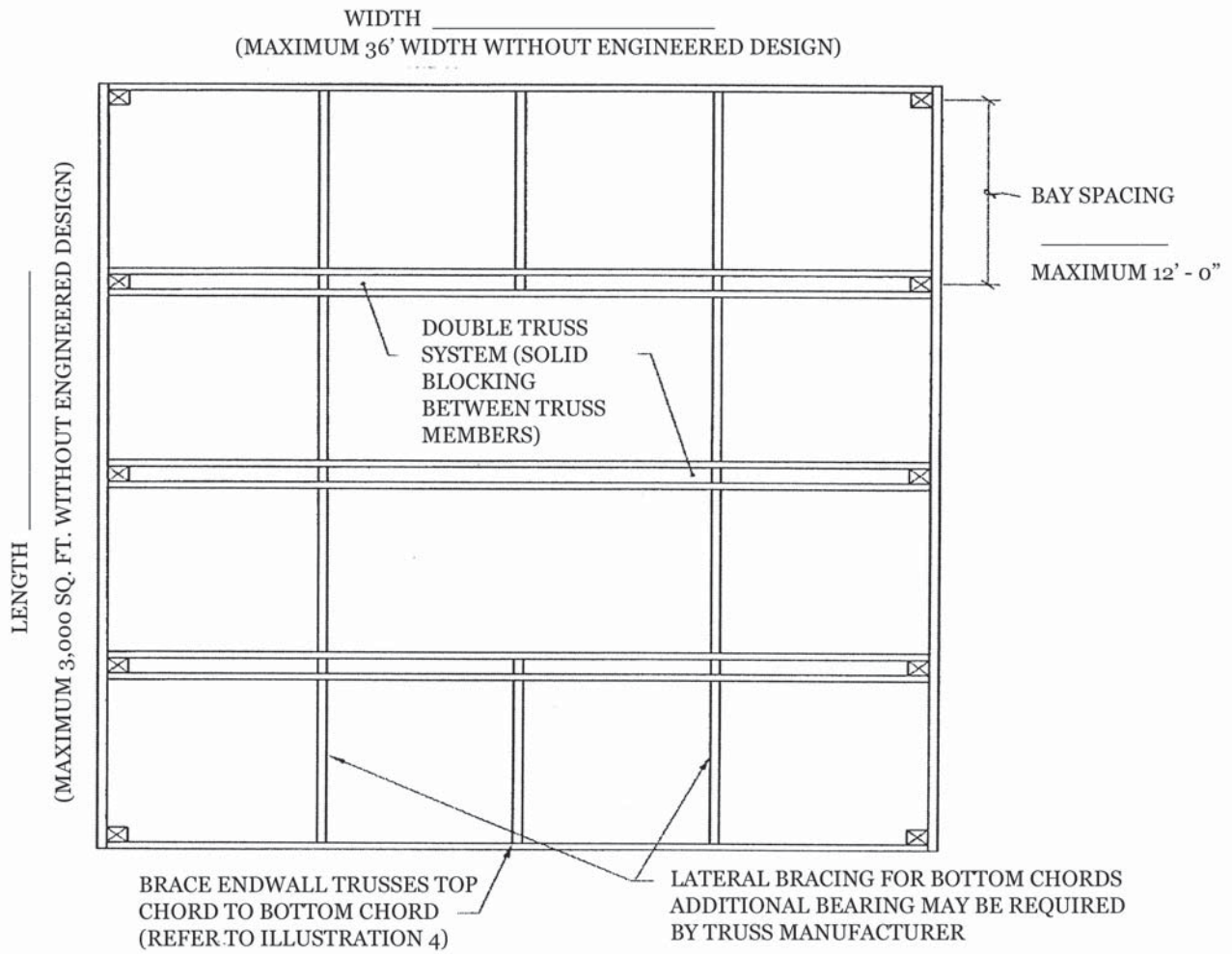


Illustration 2



Pole Building Foundation Detail

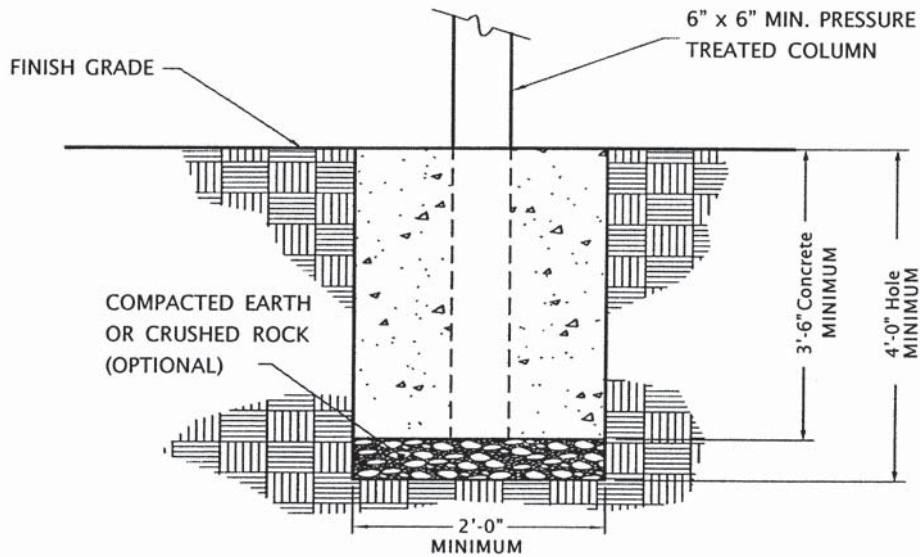
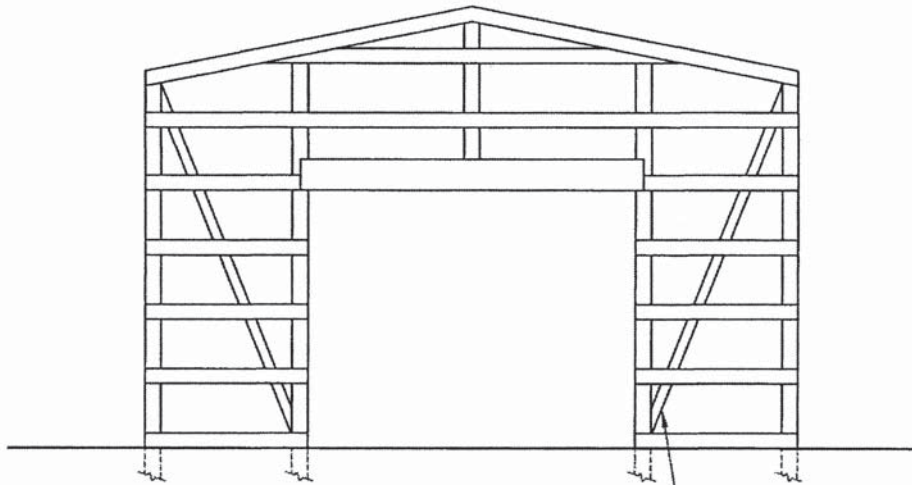
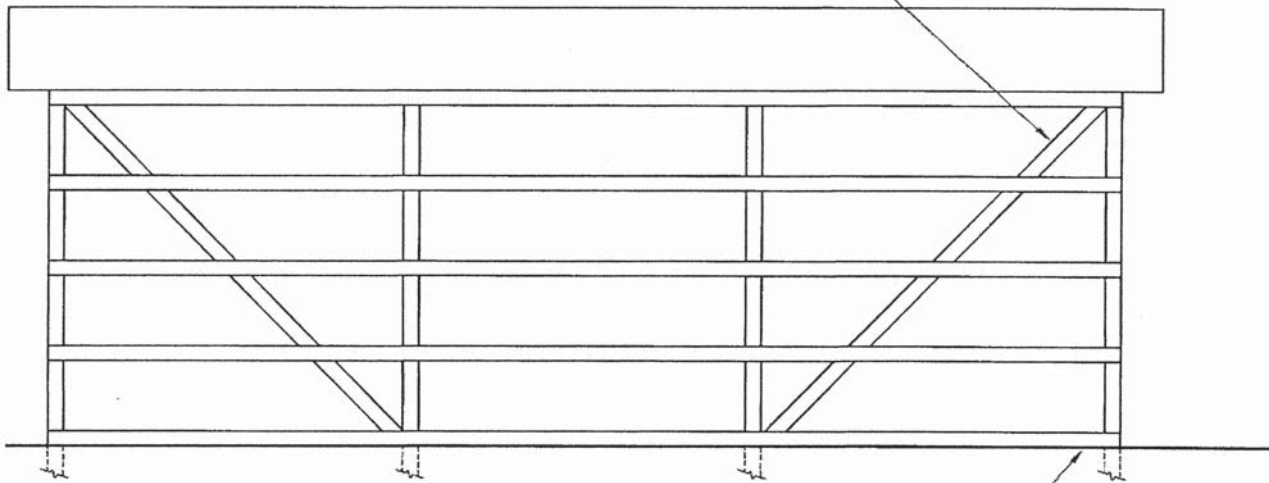


Illustration 3



2X4 (OR EQUIVALENT) BRACING EVERY 25 LINEAL FEET AND ALL CORNERS NAILED TO EACH GIRT WITH TWO (2) 10d NAILS



NATURALLY DURABLE WOOD OR PRESSURE TREATED BOTTOM GIRT

TYPICAL PURLIN CONNECTIONS

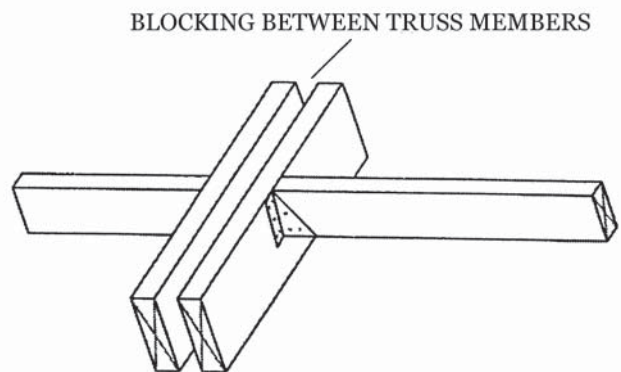
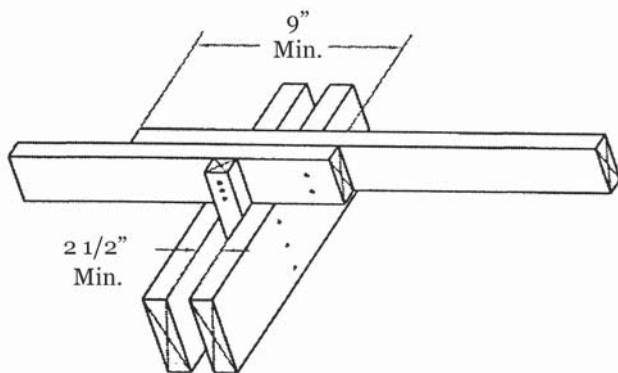
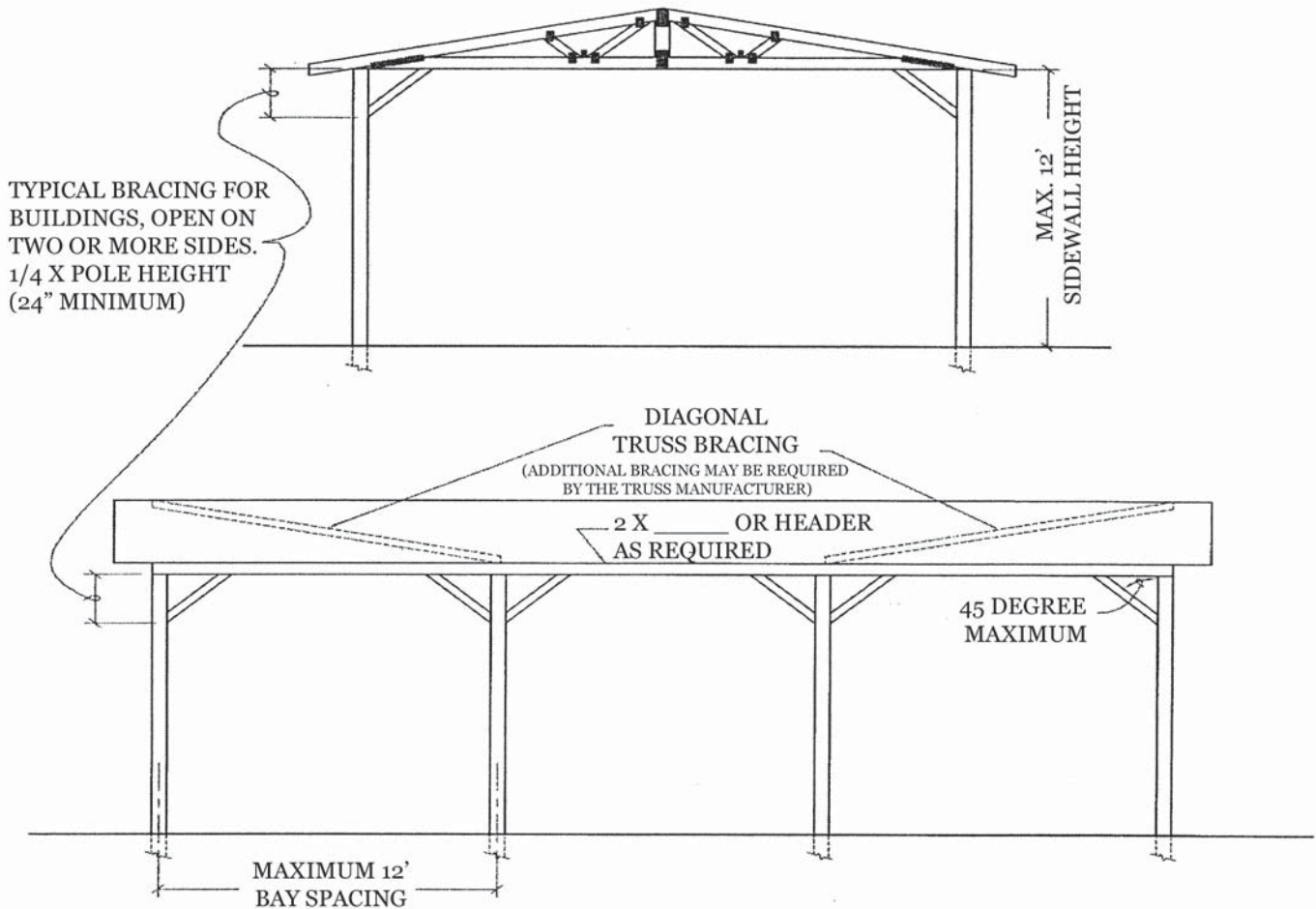


Illustration 4



REQUIRED INSPECTIONS:

1. Hole inspection required before holes are filled to determine diameter, depth of holes and set-backs of the structure relative to property lines.
2. Framing and Final inspection required after entire structure is framed and siding/roofing materials applied and **PRIOR** to use or occupancy of the building.

JURISDICTION CONTACT LIST:

- | | |
|--|----------|
| <input type="checkbox"/> Building and Planning | 477-3675 |
| <input type="checkbox"/> Engineering and Roads | 477-3600 |
| <input type="checkbox"/> Utilities | 477-3604 |

For more information contact:

Spokane County
Department of Building and Planning
1026 West Broadway Avenue
Spokane, WA 99260-0050
(509) 477-3675 bp@spokanecounty.org
<http://www.spokanecounty.org/bp>

Please note that while every effort is made to assure the accuracy of the information contained in this brochure it is not warranted for accuracy. This document is not intended to address all aspects or regulatory requirements for a project and should serve as a starting point for your investigation. For detailed information on a particular project, permit, or code requirement refer directly to applicable file and/or code/regulatory documents or contact the appropriate division or staff.