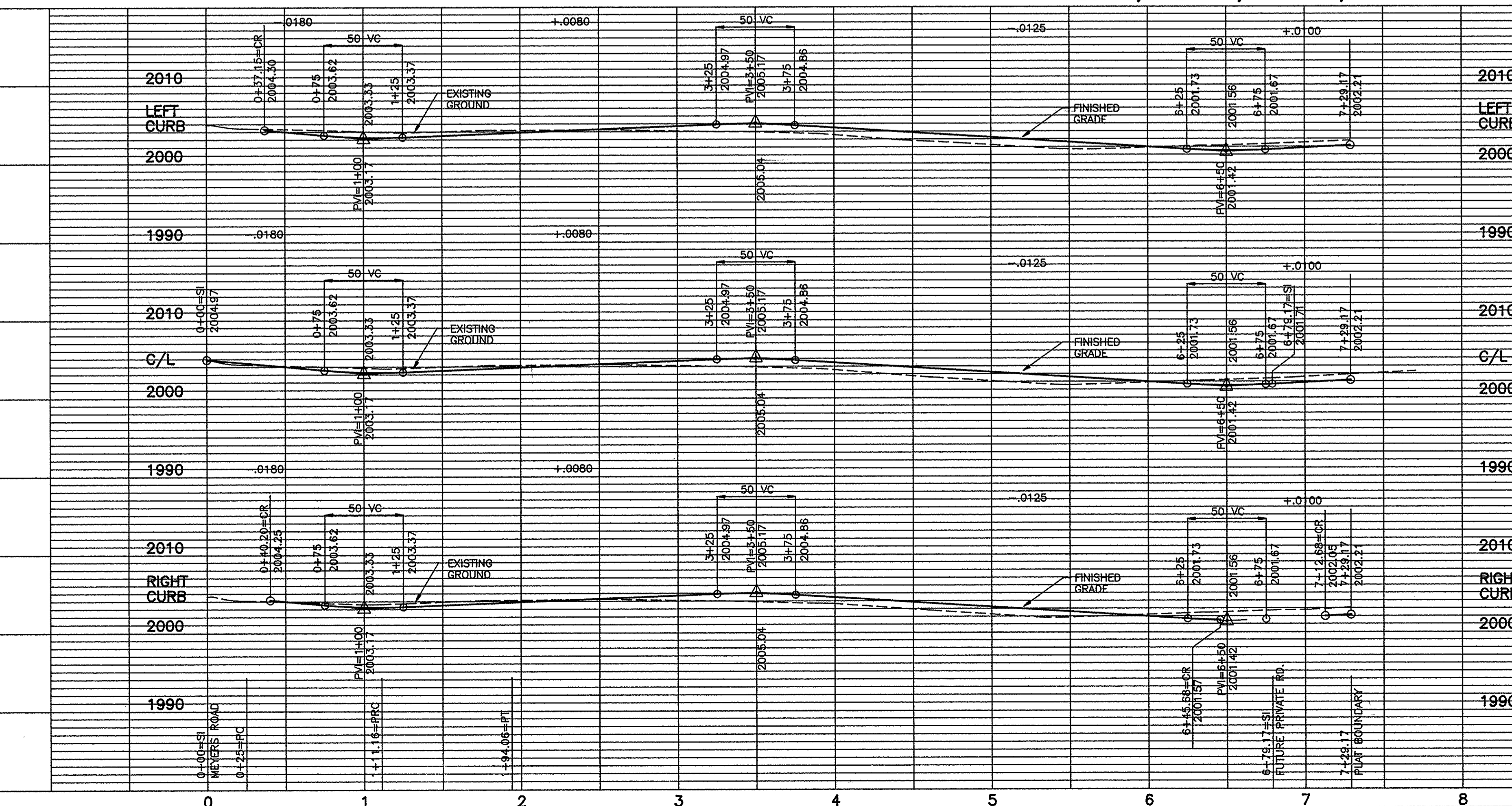
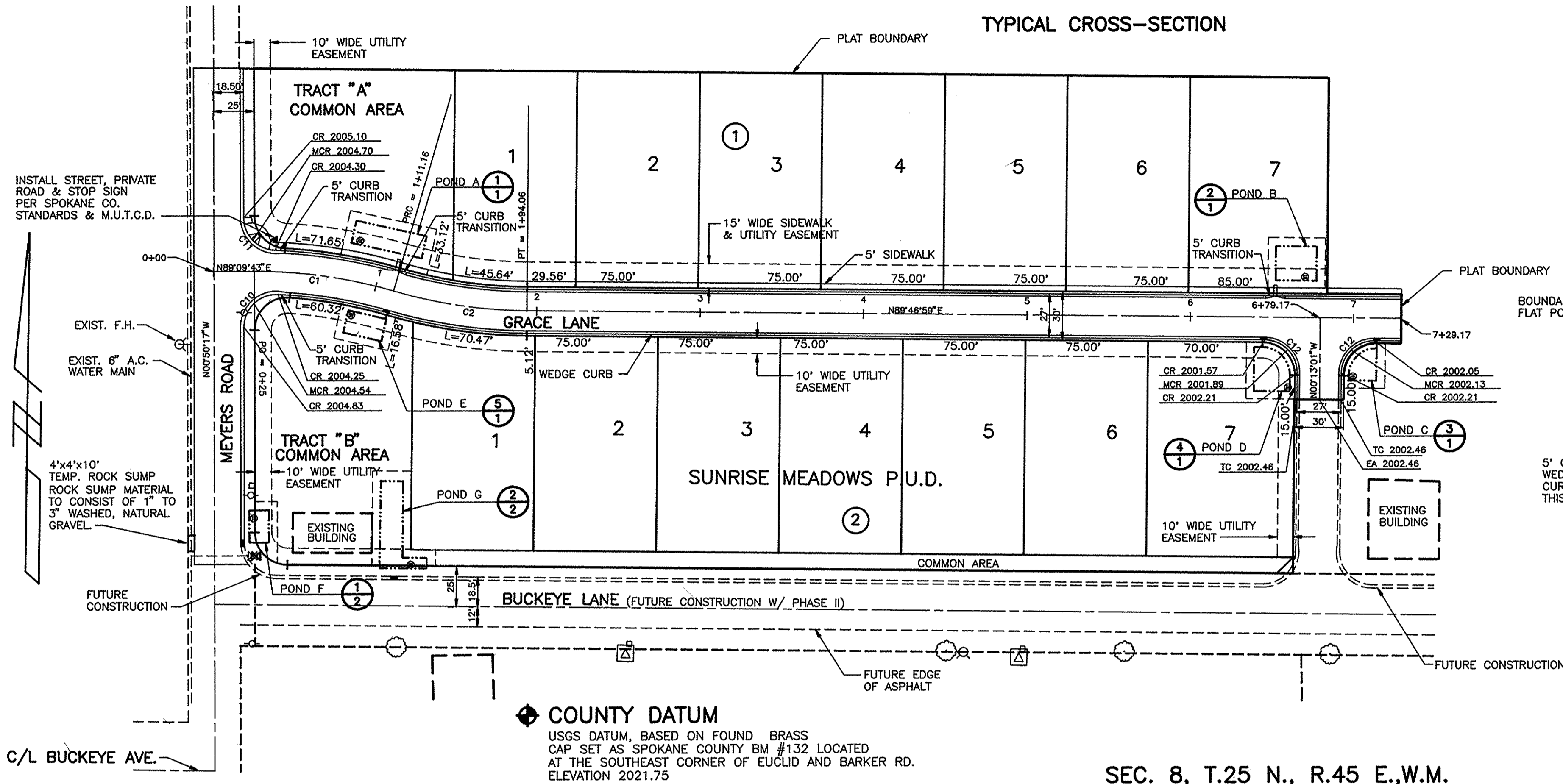
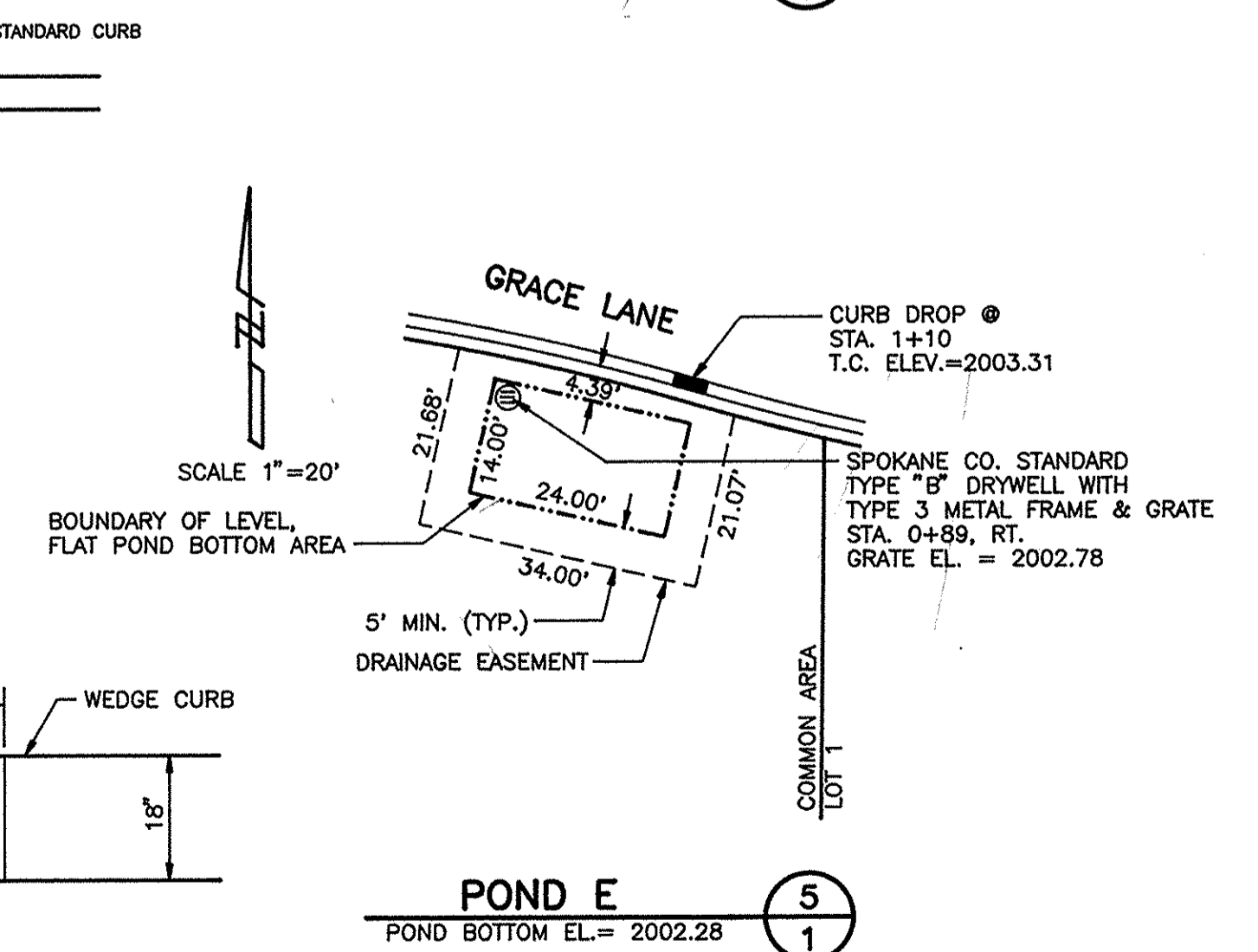
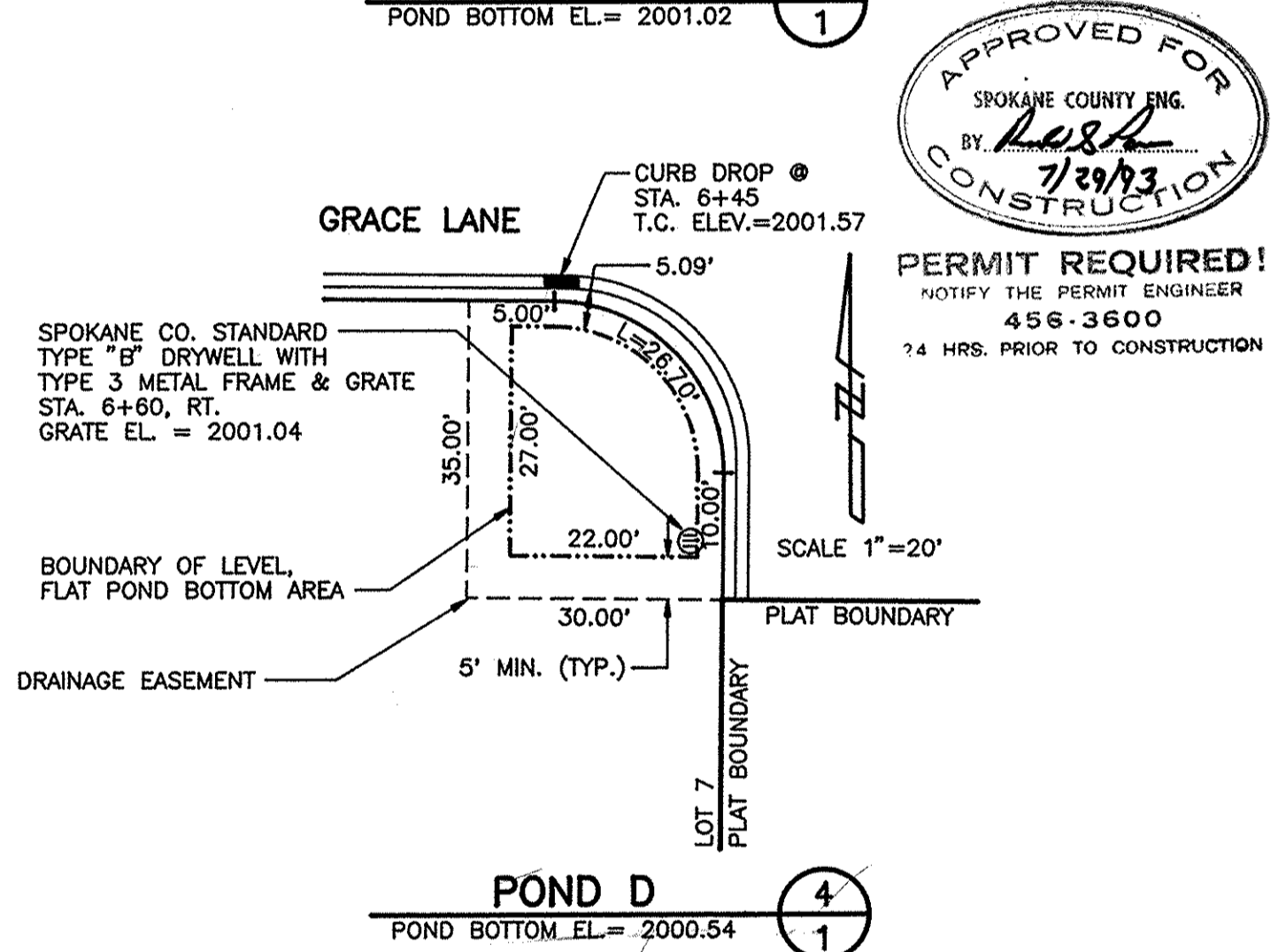
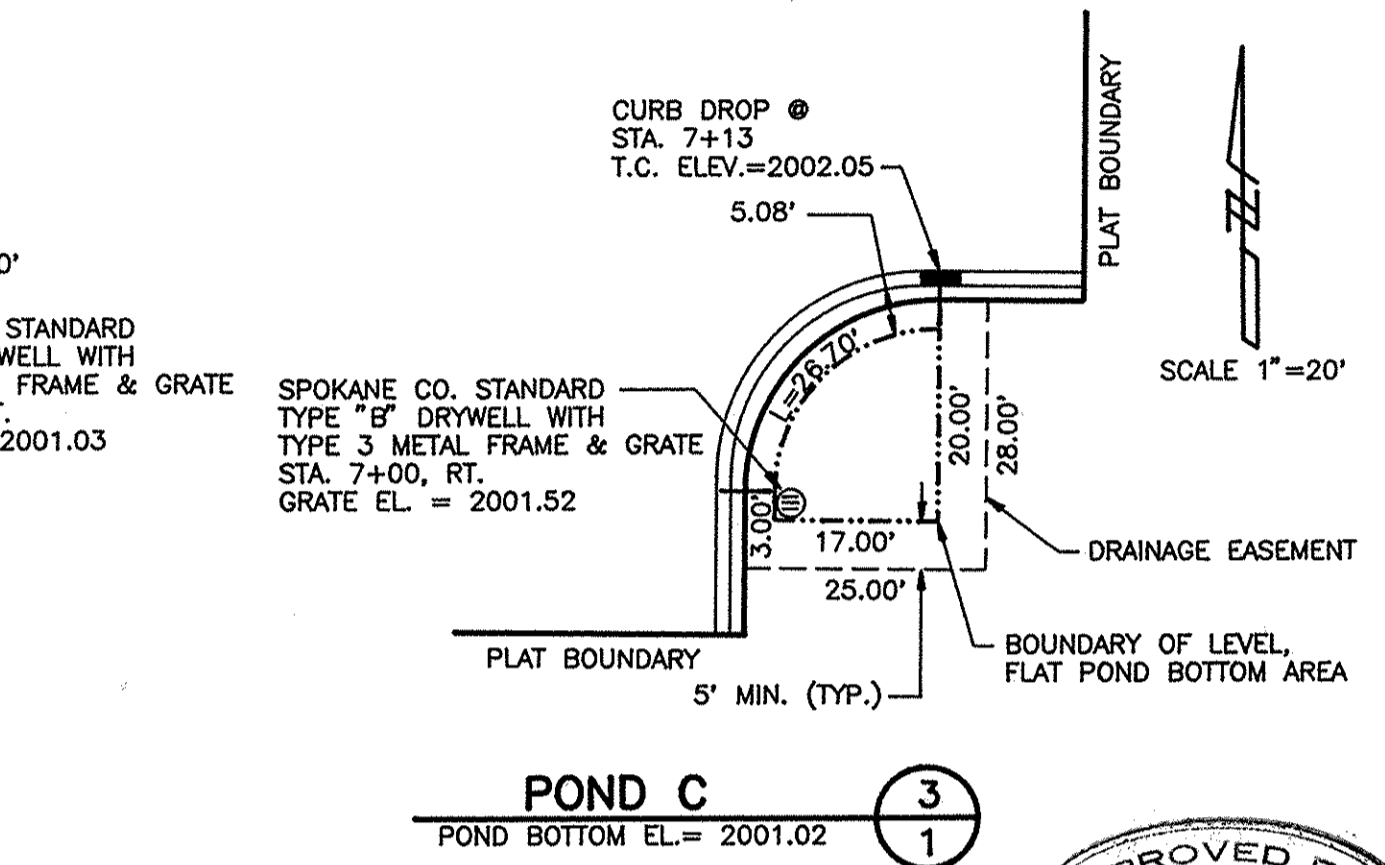
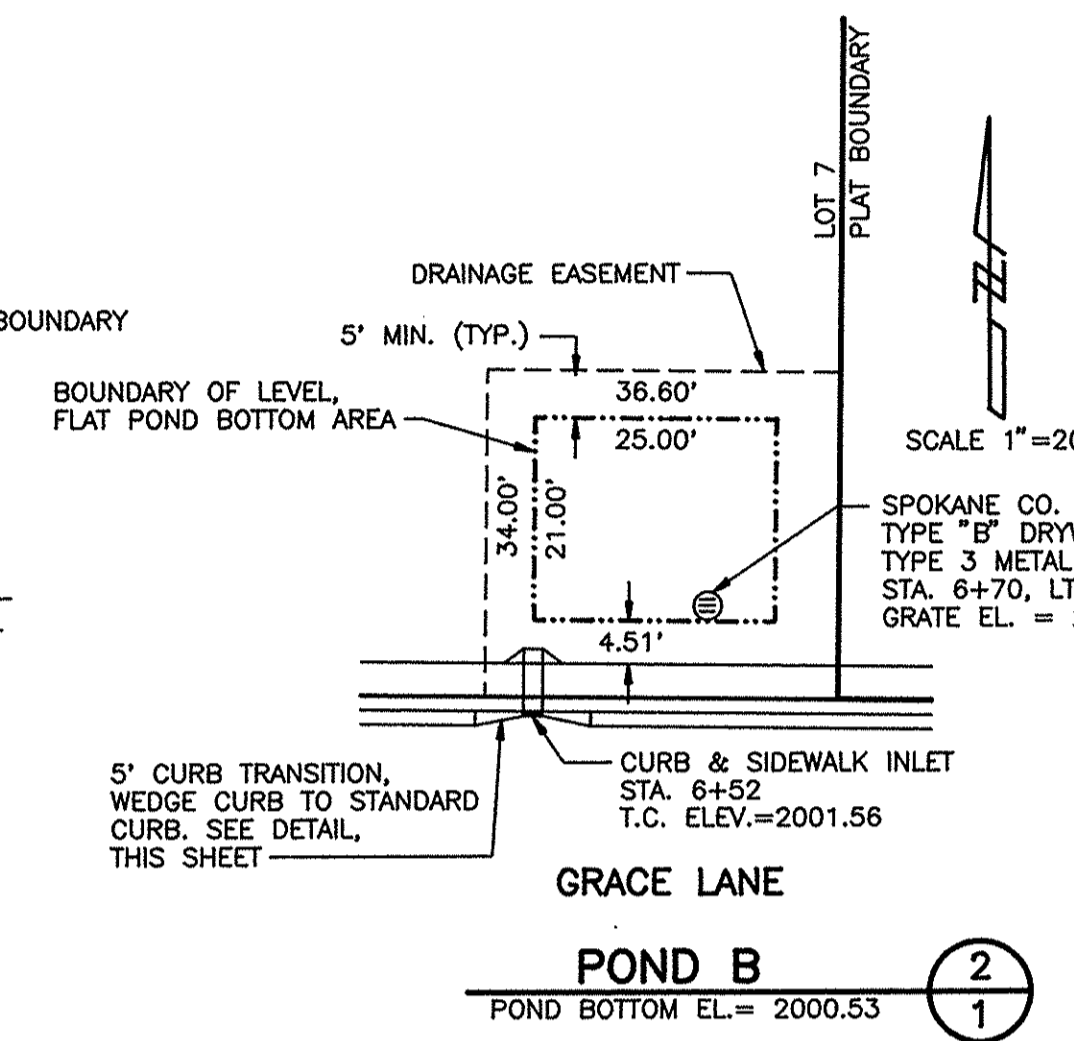
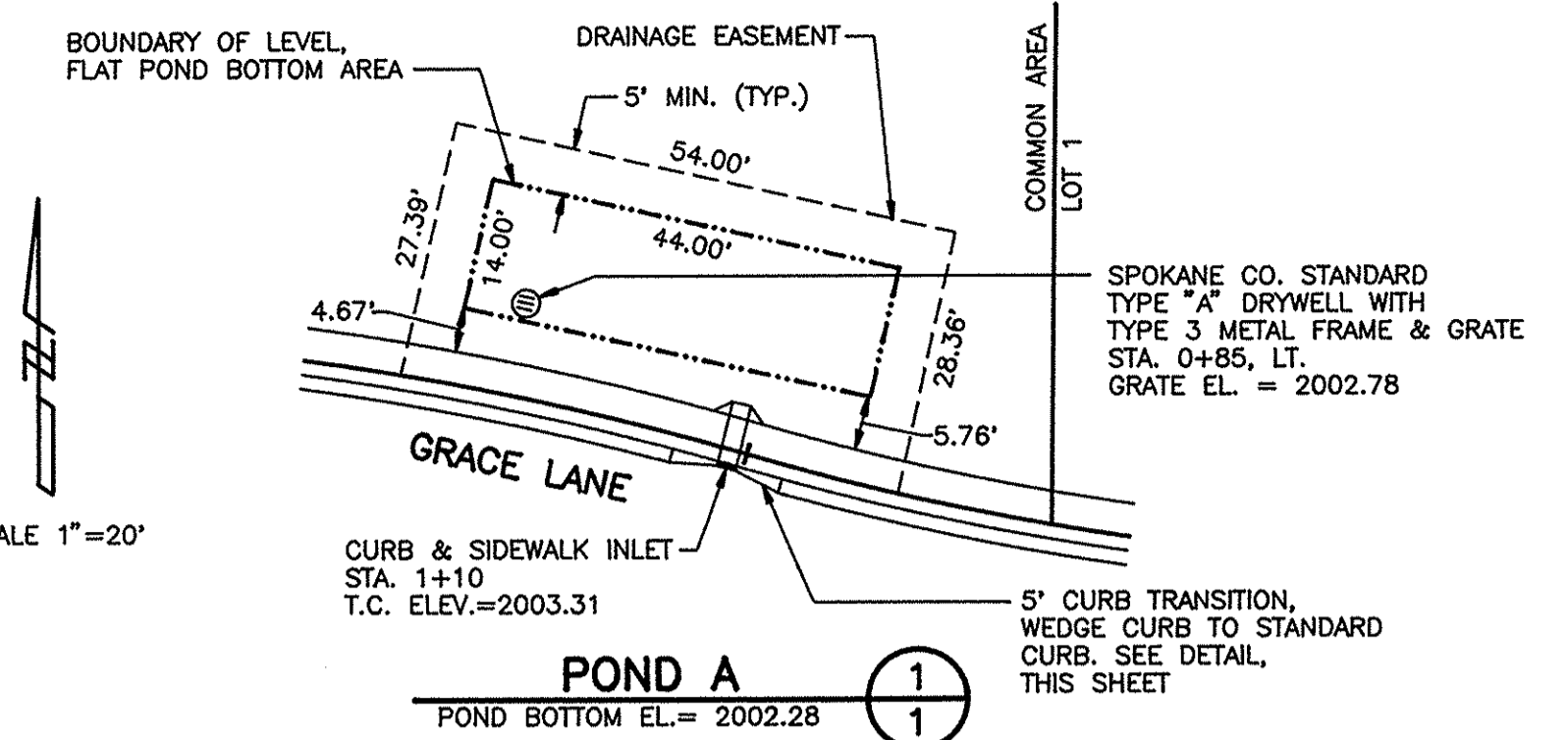
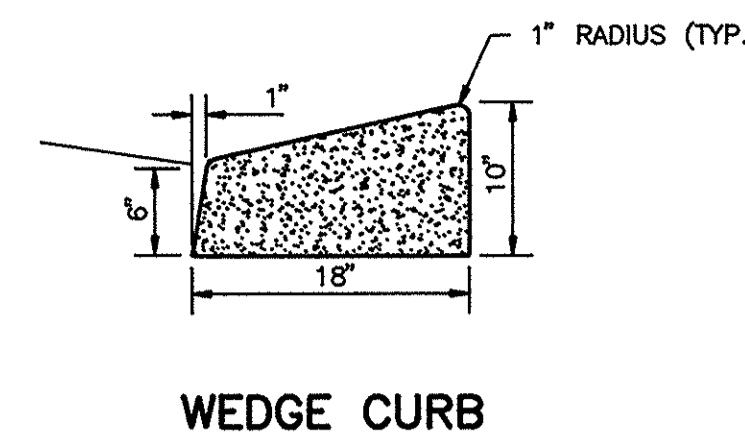
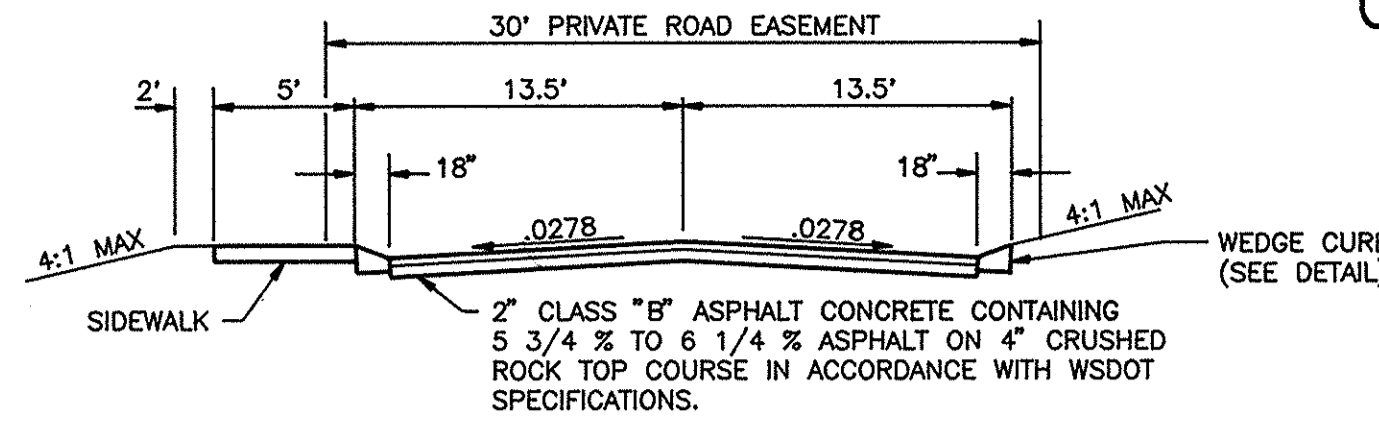


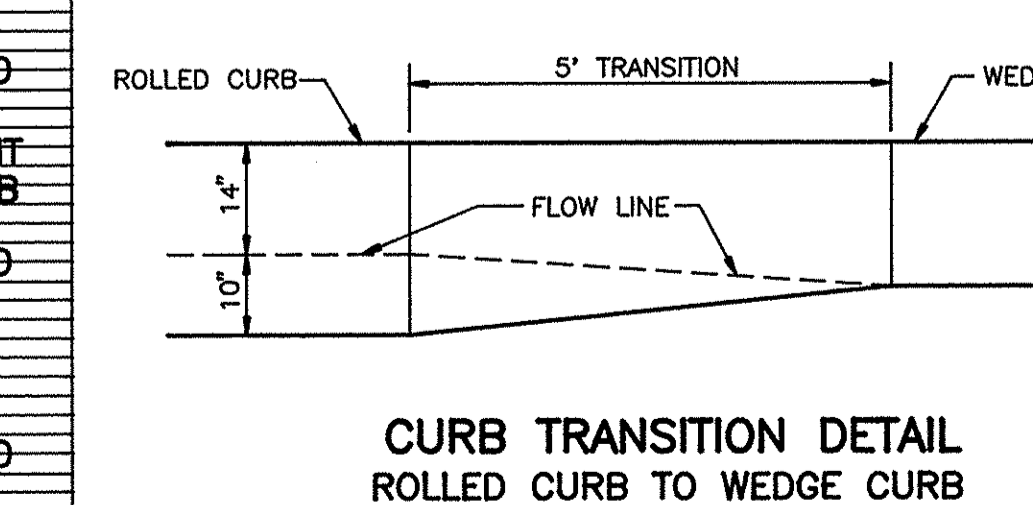
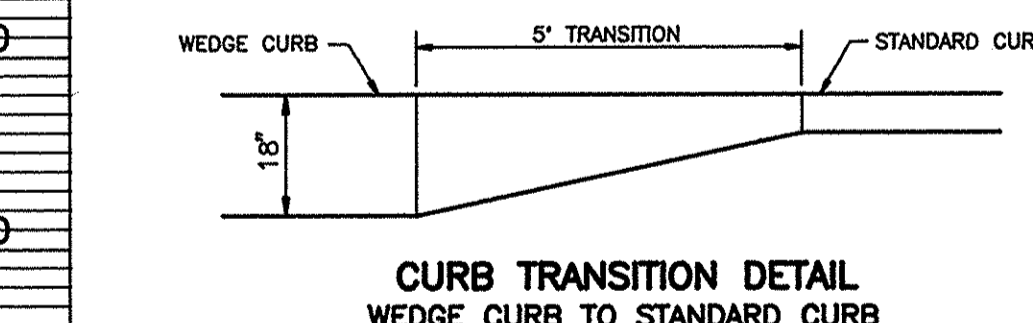
CALL BEFORE YOU DIG 456-8000

CURVE INFORMATION					
CURVE	RADIUS	LENGTH	TANGENT	CHORD	DELTA
C1	300.00'	86.16'	43.38'	85.86'	162°7'16"
C2	300.00'	82.90'	41.72'	82.64'	155°0'00"
*C10	20.00'	32.43'	21.04'	28.99'	92°54'13"
*C11	20.00'	30.61'	19.21'	27.71'	87°40'48"
*C12	20.00'	31.42'	20.00'	28.28'	90°00'00"

* RADIUS FROM BACK OF CURB



- NOTES:**
1. ANY CONFLICTING UTILITIES SHALL BE RELOCATED PRIOR TO CONSTRUCTION.
 2. ALL DRYWELLS SHALL BE INSTALLED WITH FILTER FABRIC (AMOCO #4545 OR APPROVED EQUAL) BETWEEN THE DRAIN ROCK AND THE EXCAVATED LATERAL GROUND SURFACE.



INLAND PACIFIC ENGINEERING
 South 25 Altamont Spokane, Washington 99202
 (509) 535-1410

SUNRISE MEADOWS P.U.D.
 GRACE LANE

STREET

SCALE: HORIZONTAL 1"=50', VERTICAL 1"=10'

DATE: 6/16/93
 DWN: LBM/JFC
 CHK: BAH
 MPY: [Signature]

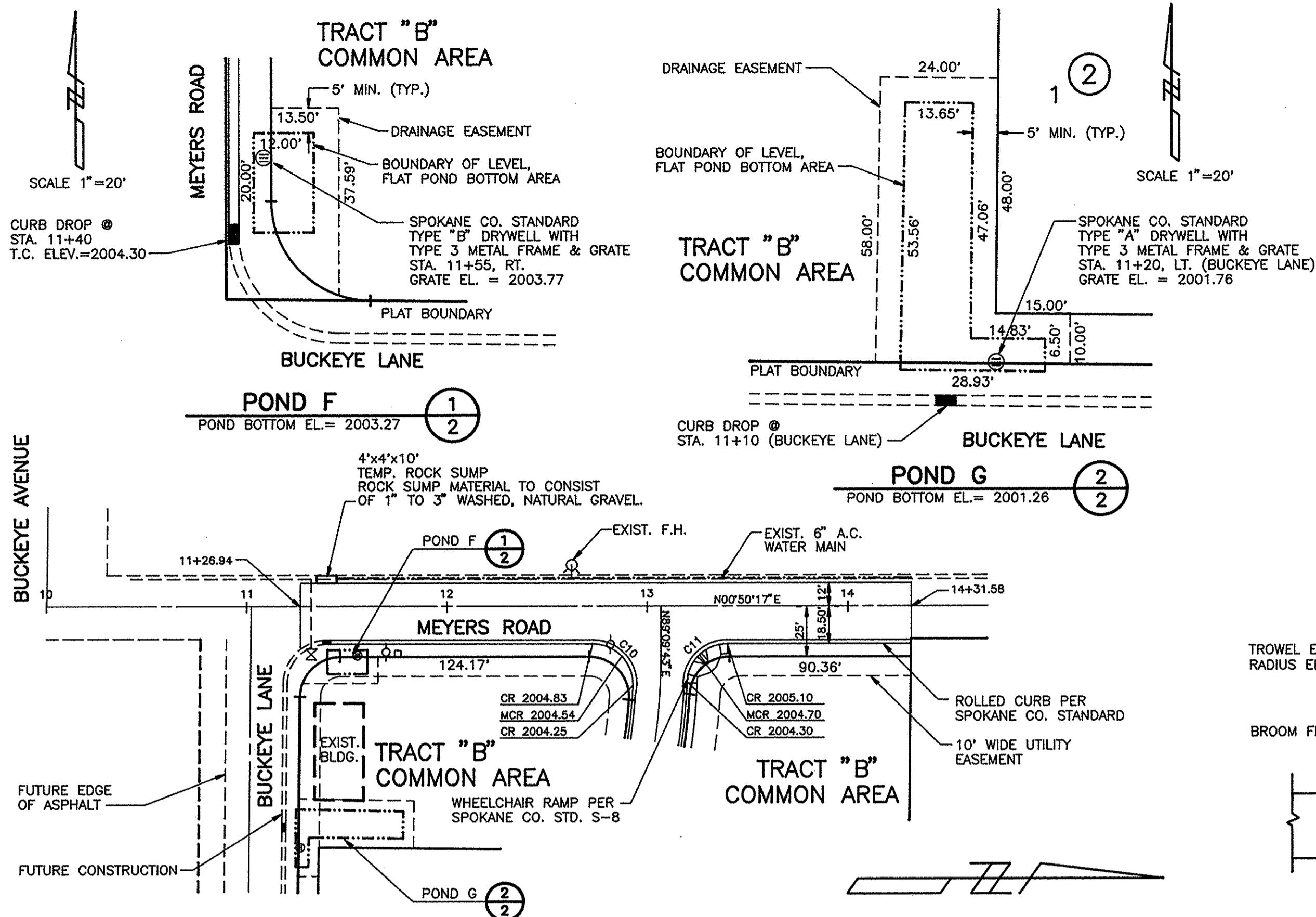
REVISIONS:

NO.	DATE	BY

SHEET 1 OF 2
 JOB NUMBER 92113

DEVELOPER'S APPROVAL: [Signature]
 DATE: 6/16/93

CALL BEFORE YOU DIG 456-8000



CURVE INFORMATION

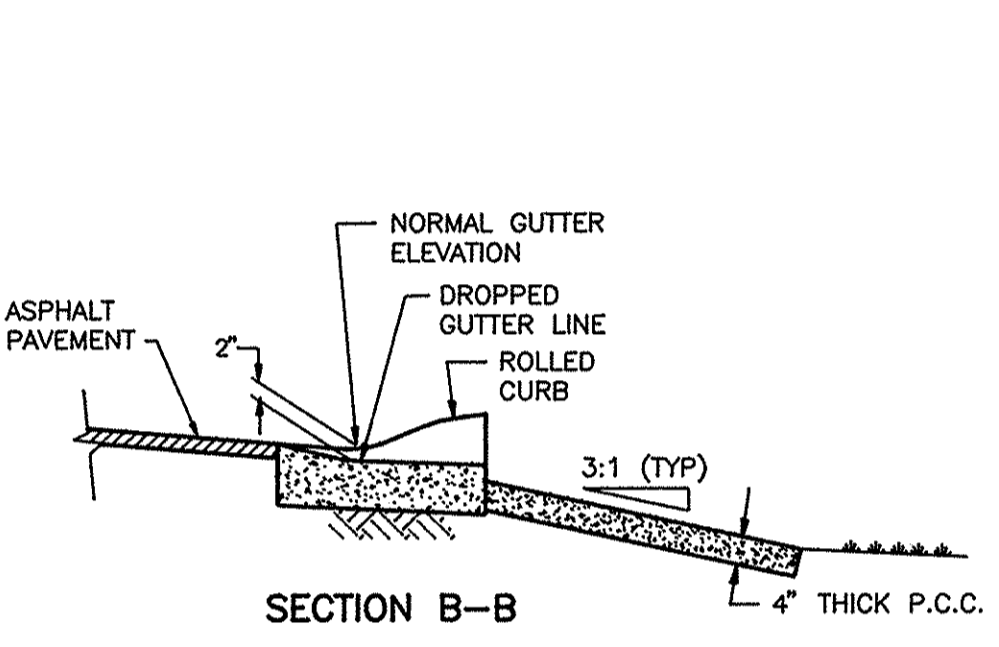
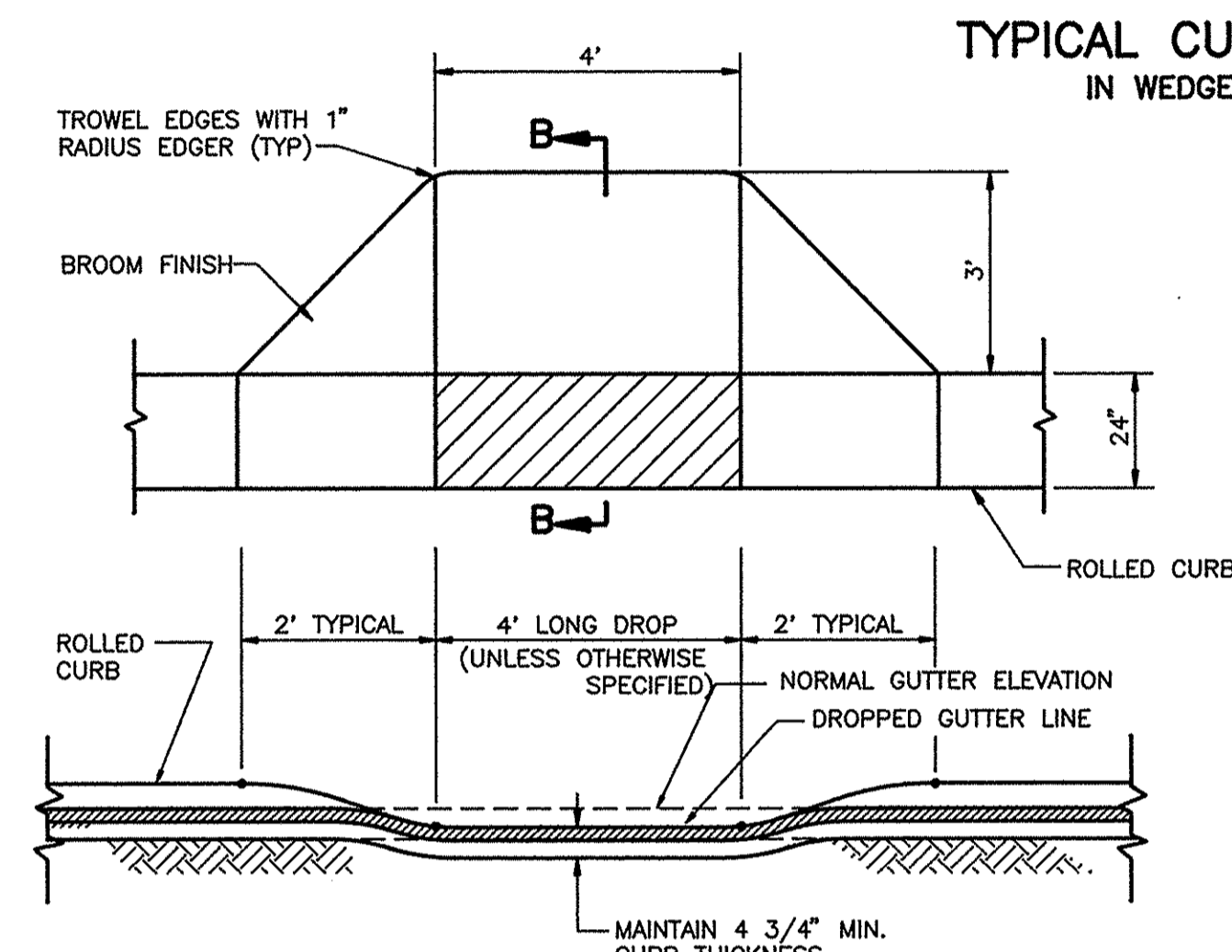
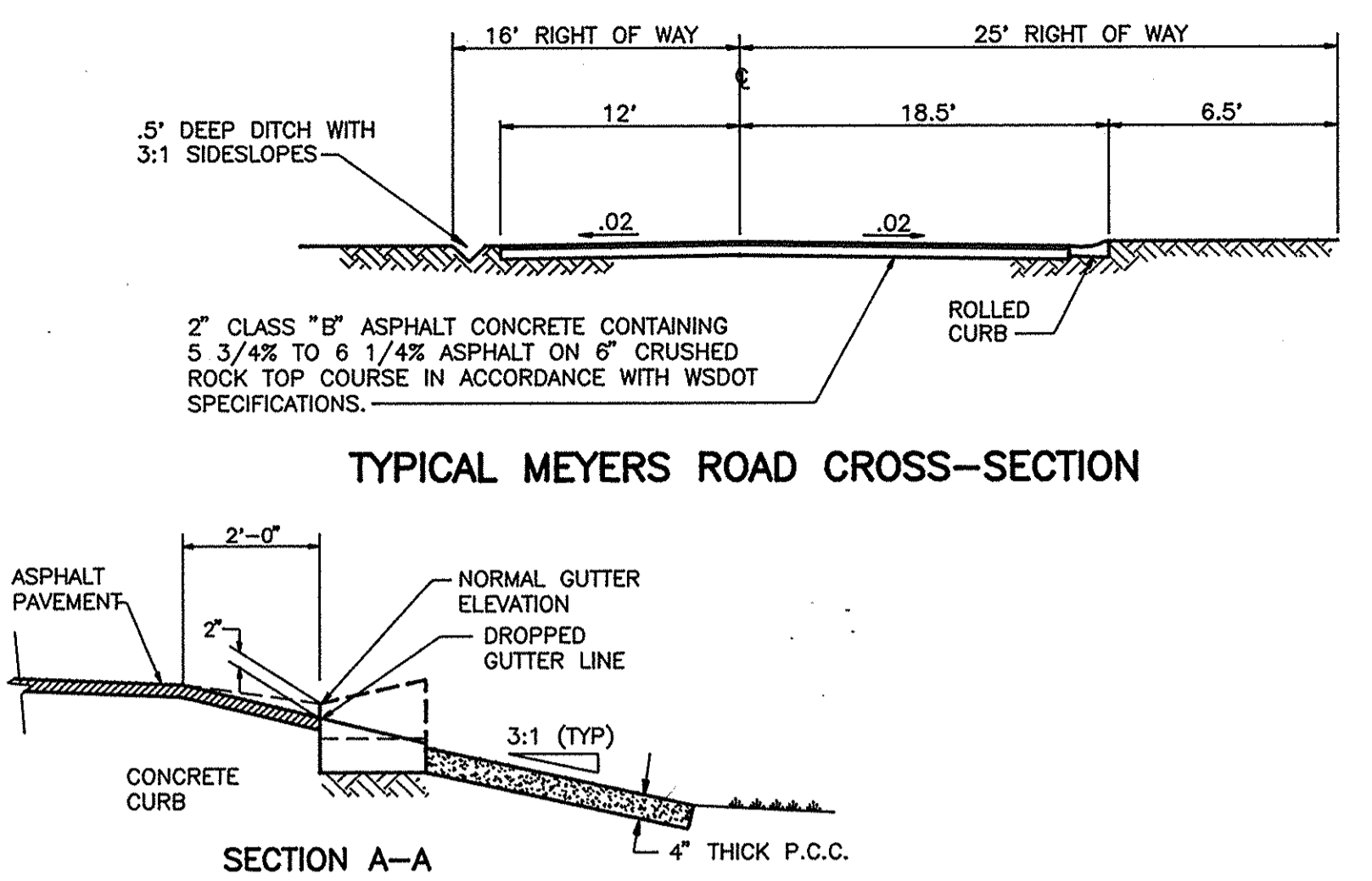
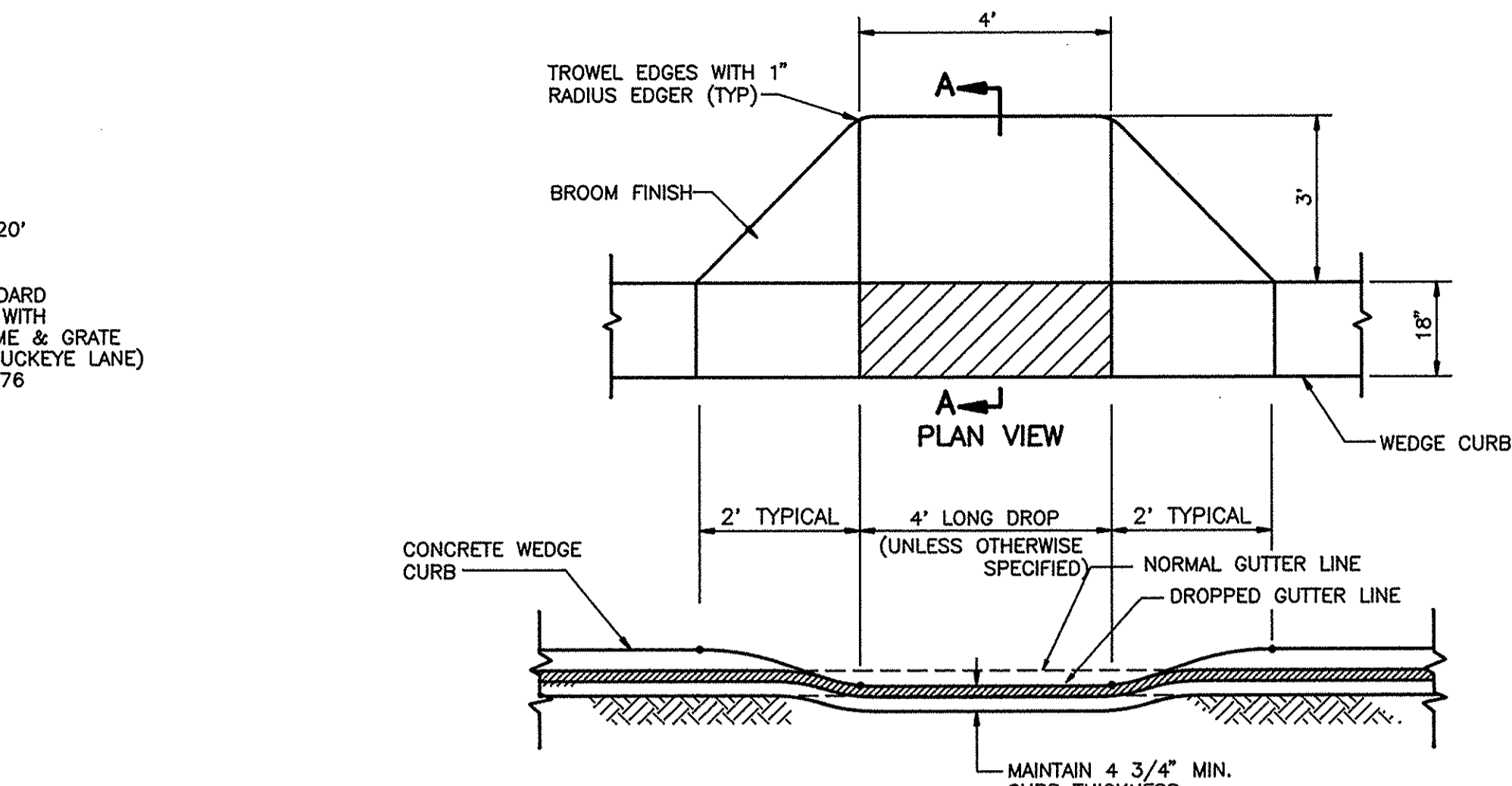
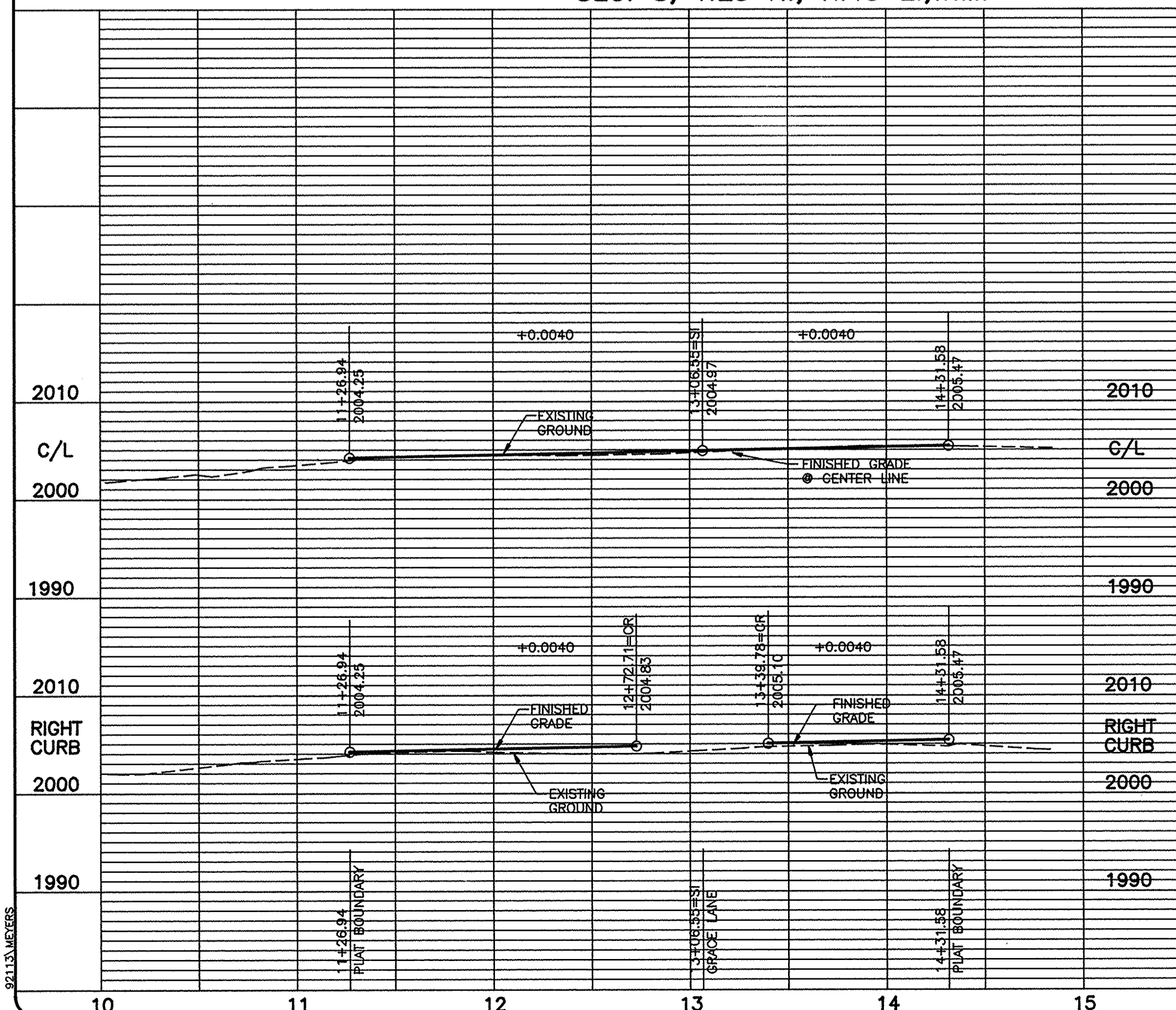
CURVE	RADIUS	LENGTH	TANGENT	CHORD	DELTA
*C10	20.00'	32.43'	21.04'	28.99'	92°54'13"
*C11	20.00'	30.61'	19.21'	27.71'	87°40'48"

* RADIUS FROM BACK OF CURB

- NOTES:**
- ANY CONFLICTING UTILITIES SHALL BE RELOCATED PRIOR TO CONSTRUCTION.
 - ALL DRYWELLS SHALL BE INSTALLED WITH FILTER FABRIC (AMOCO #4545 OR APPROVED EQUAL) BETWEEN THE DRAIN ROCK AND THE EXCAVATED LATERAL GROUND SURFACE.
 - PRIOR TO POURING CONCRETE FOR MEYERS ROAD CURBS, THE CONTRACTOR SHALL HAVE A LICENSED SURVEYOR VERIFY THAT THE FORMS AND/OR STRING LINES USED TO SET THE GRADE FOR THE CURBS ARE CORRECT AND IN COMPLIANCE WITH THE PLANS. ALL CURBS ON MEYERS ROAD TO BE CONSTRUCTED WITHIN 1/4" PER 10 L.F. TOLERANCE.

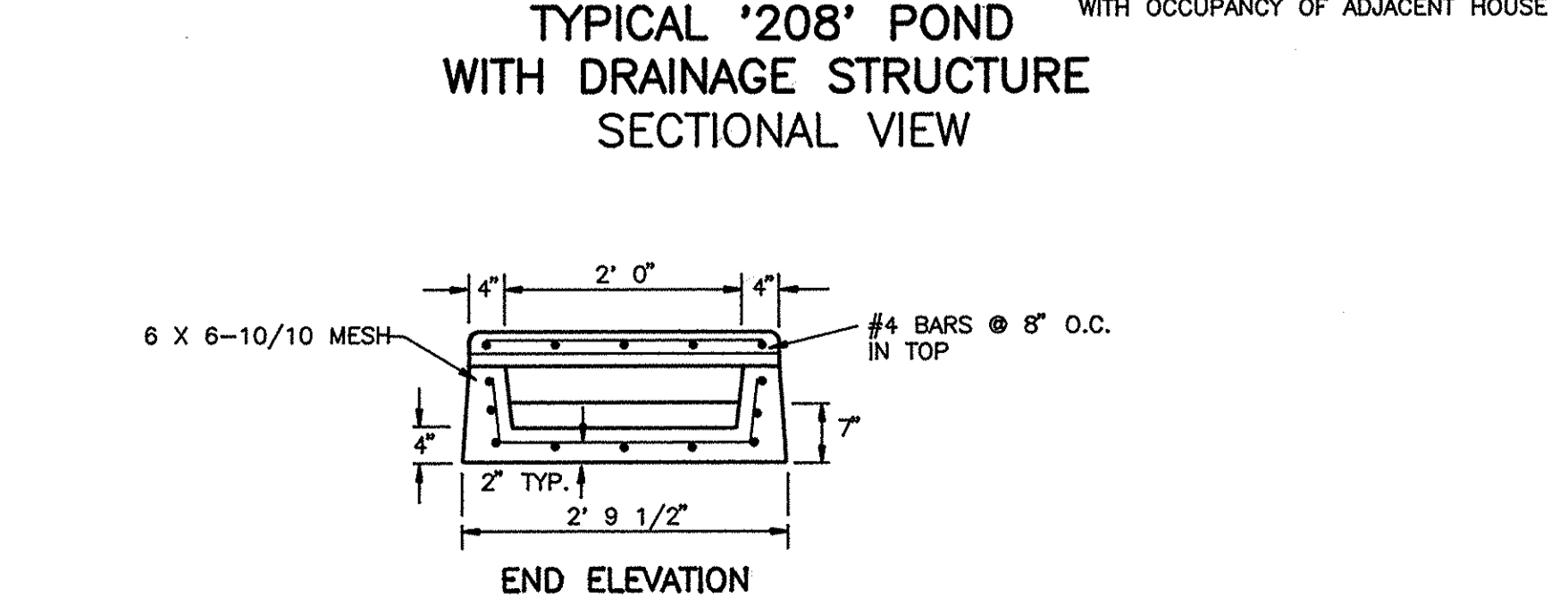
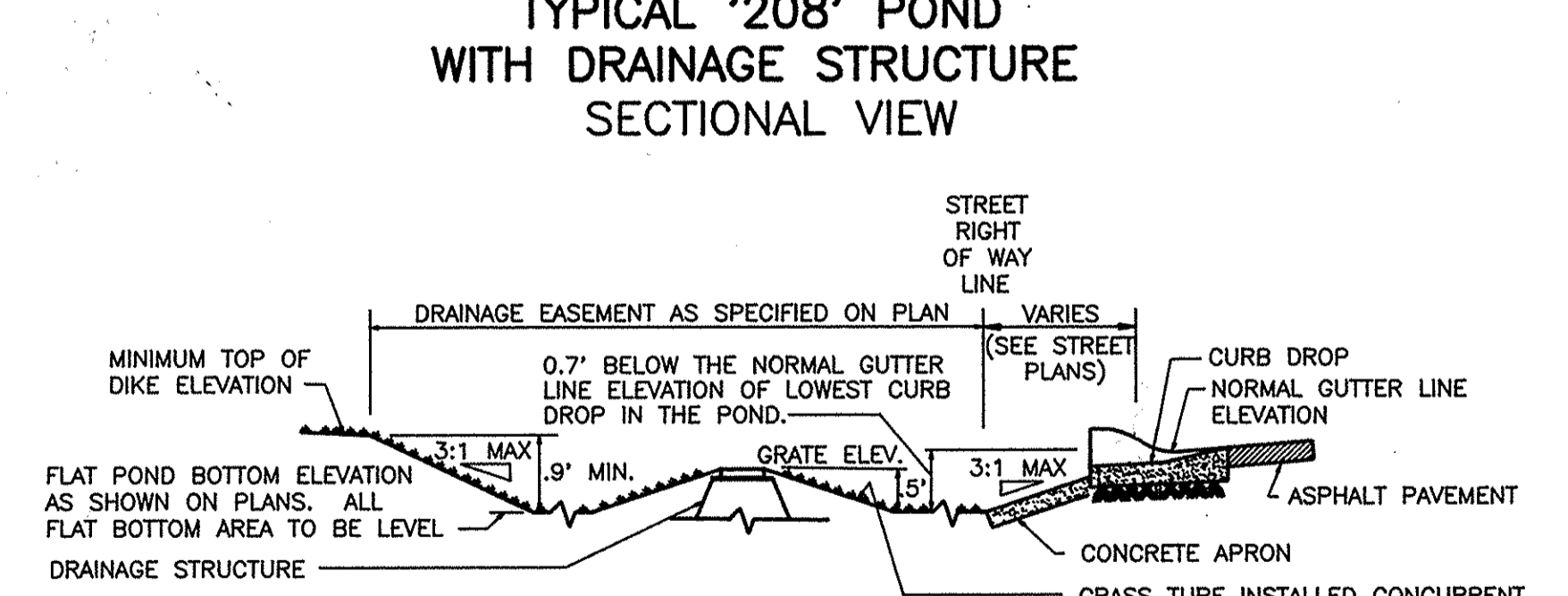
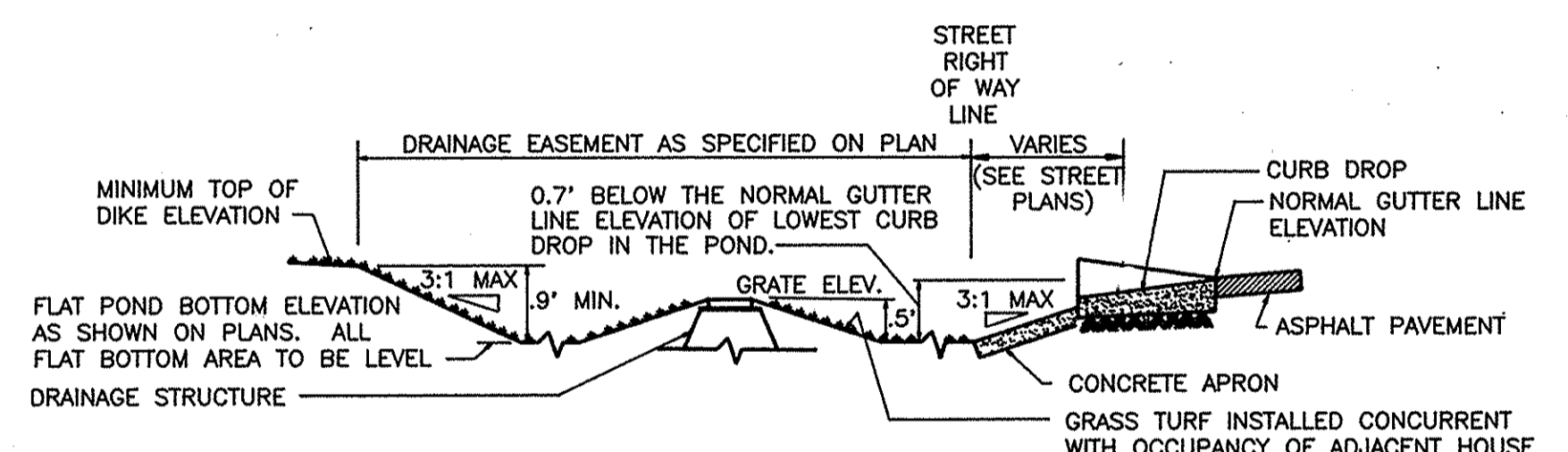
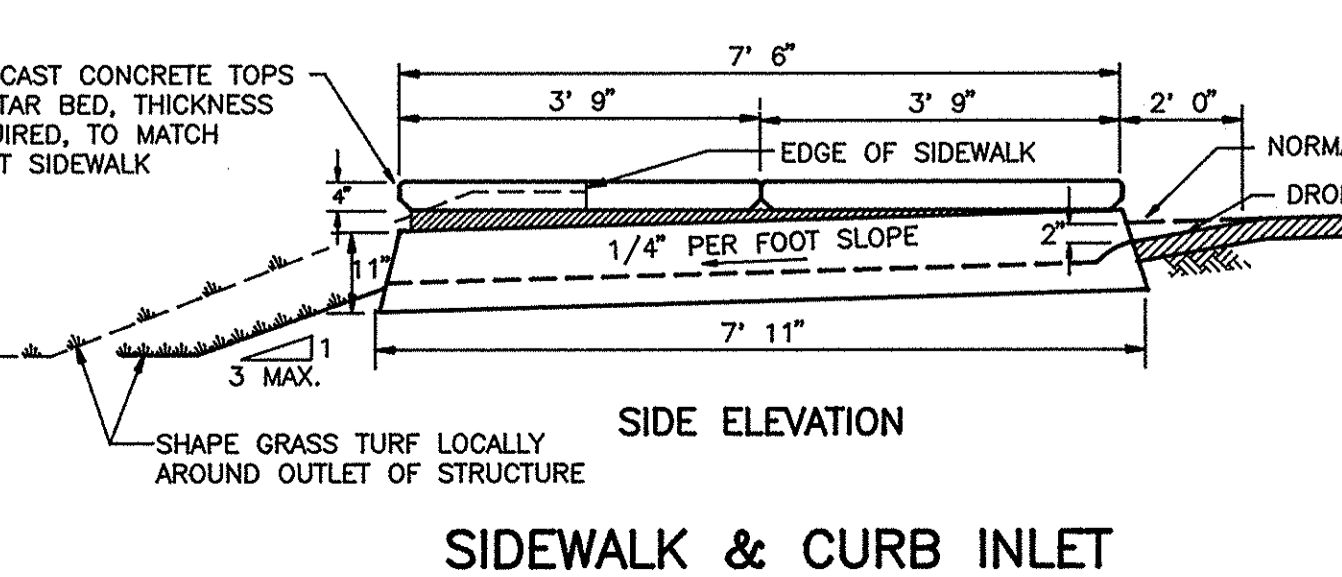
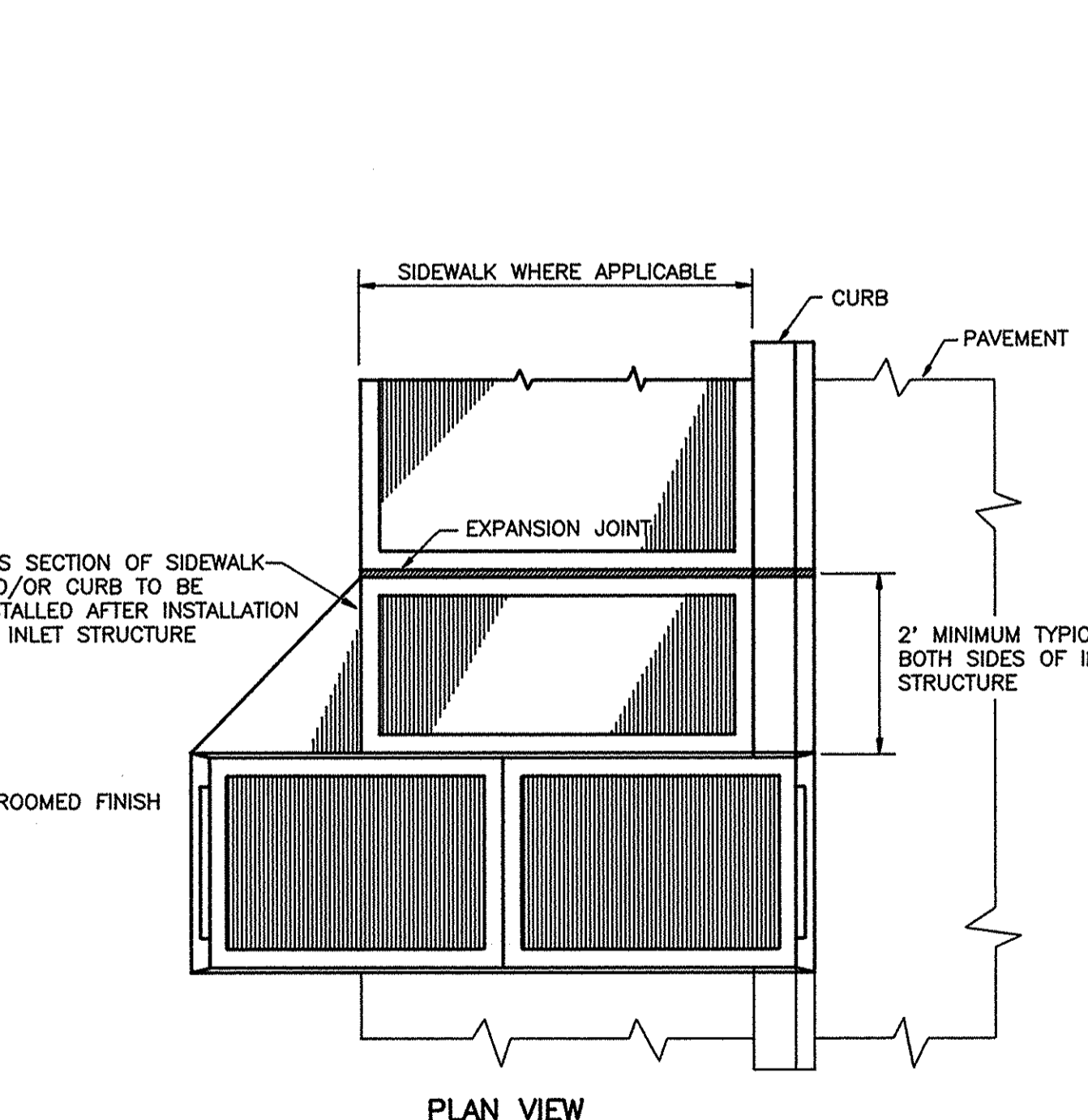
COUNTY DATUM
 USGS DATUM, BASED ON FOUND BRASS CAP SET AS SPOKANE COUNTY BM #132 LOCATED AT THE SOUTHEAST CORNER OF EUCLID AND BARKER. ELEVATION 2021.75

SEC. 8, T.25 N., R.45 E., W.M.



Steve W. Peltz
 DEVELOPER'S APPROVAL

6/16/93
 DATE



SCALE: HORIZONTAL 1"=50', VERTICAL 1"=10'

DATE: 6/15/93

DRAWN BY: JFC, CHECKED BY: BAH, APPROVED BY: MPT

NO. DATE BY

REVISIONS

INLAND PACIFIC ENGINEERING
 South 25th Street, Spokane, Washington 99202
 (509) 535-1410

SUNRISE MEADOWS P.U.D.
 MEYERS ROAD

STREET

SHEET 2 OF 2
 JOB NUMBER 92113