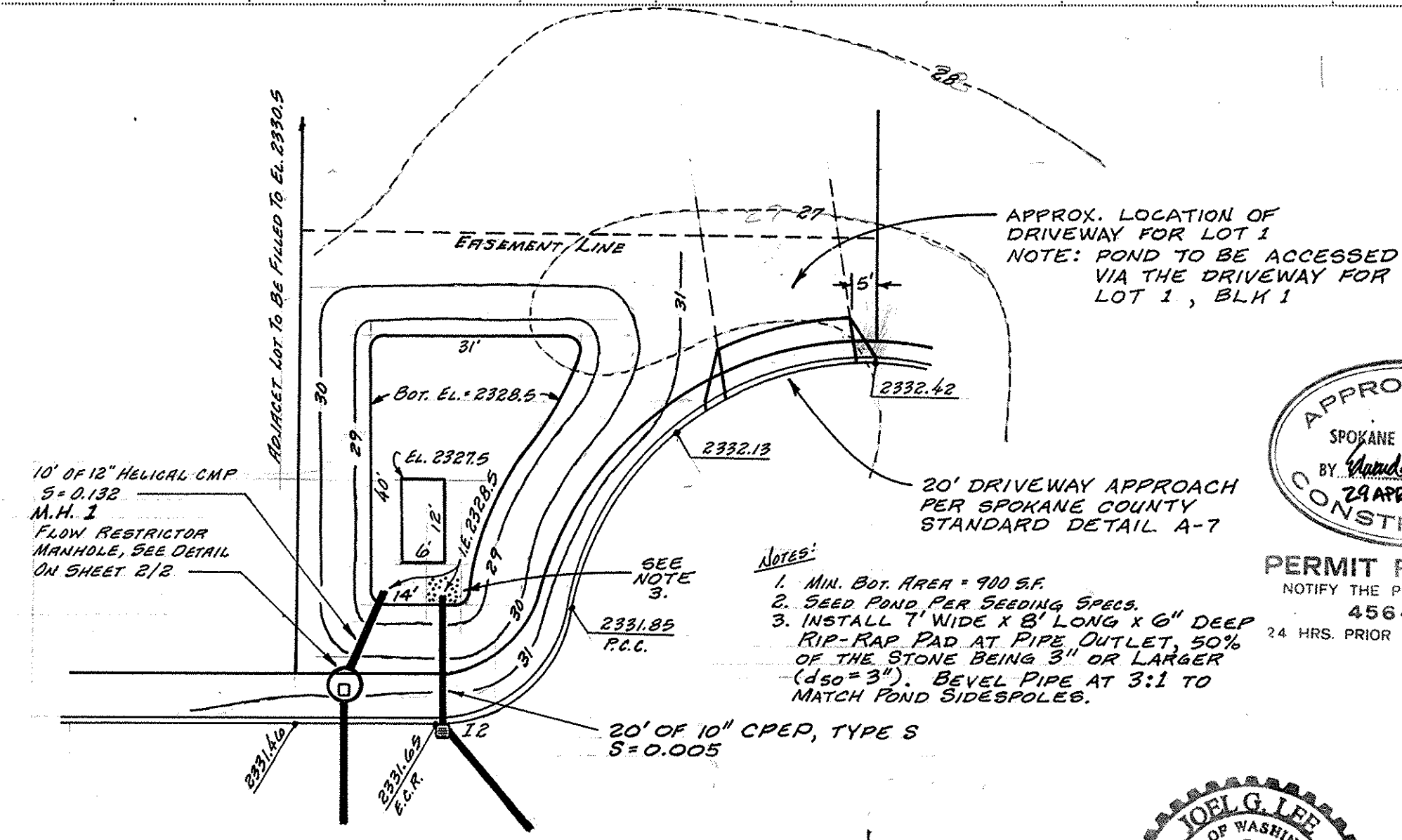
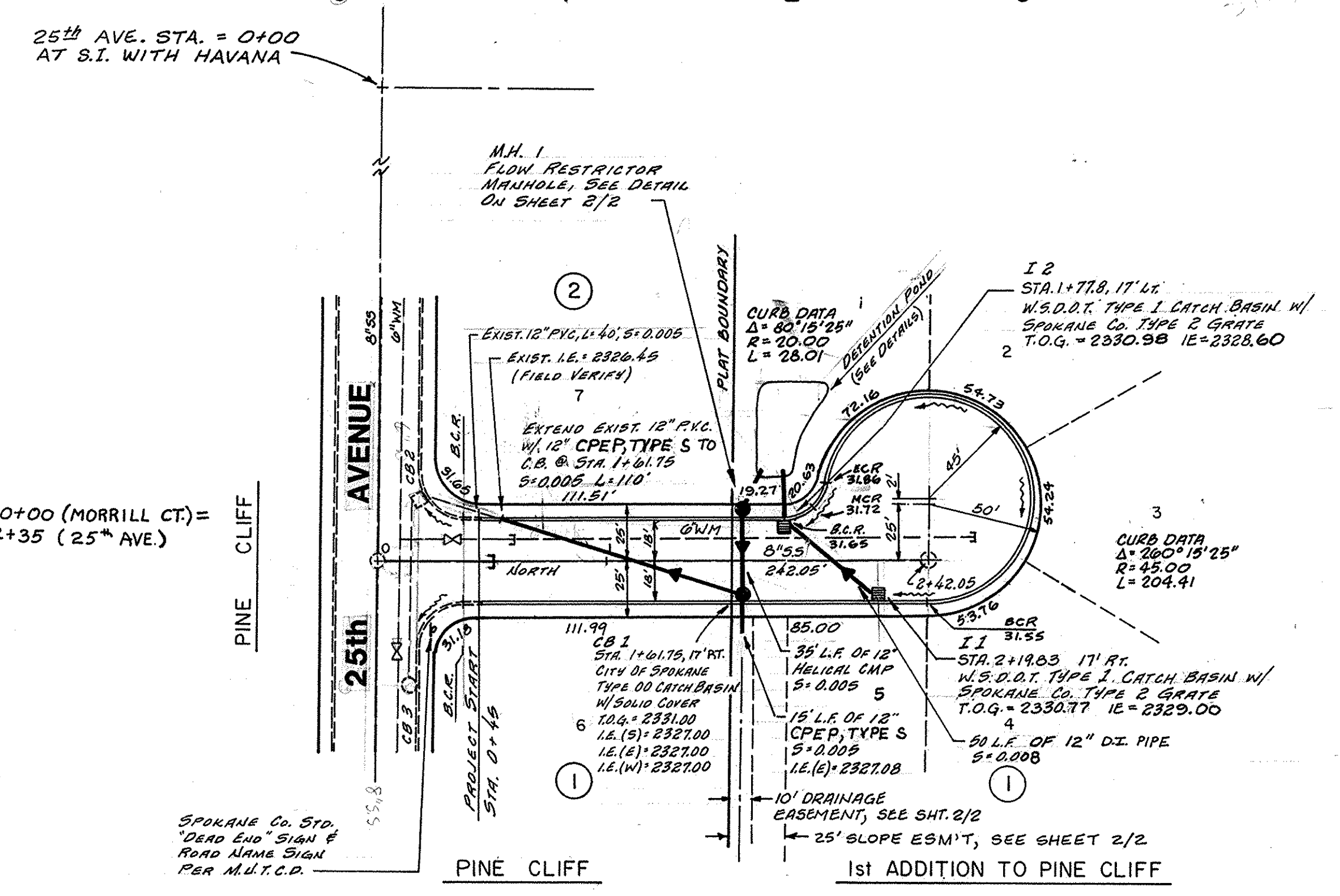
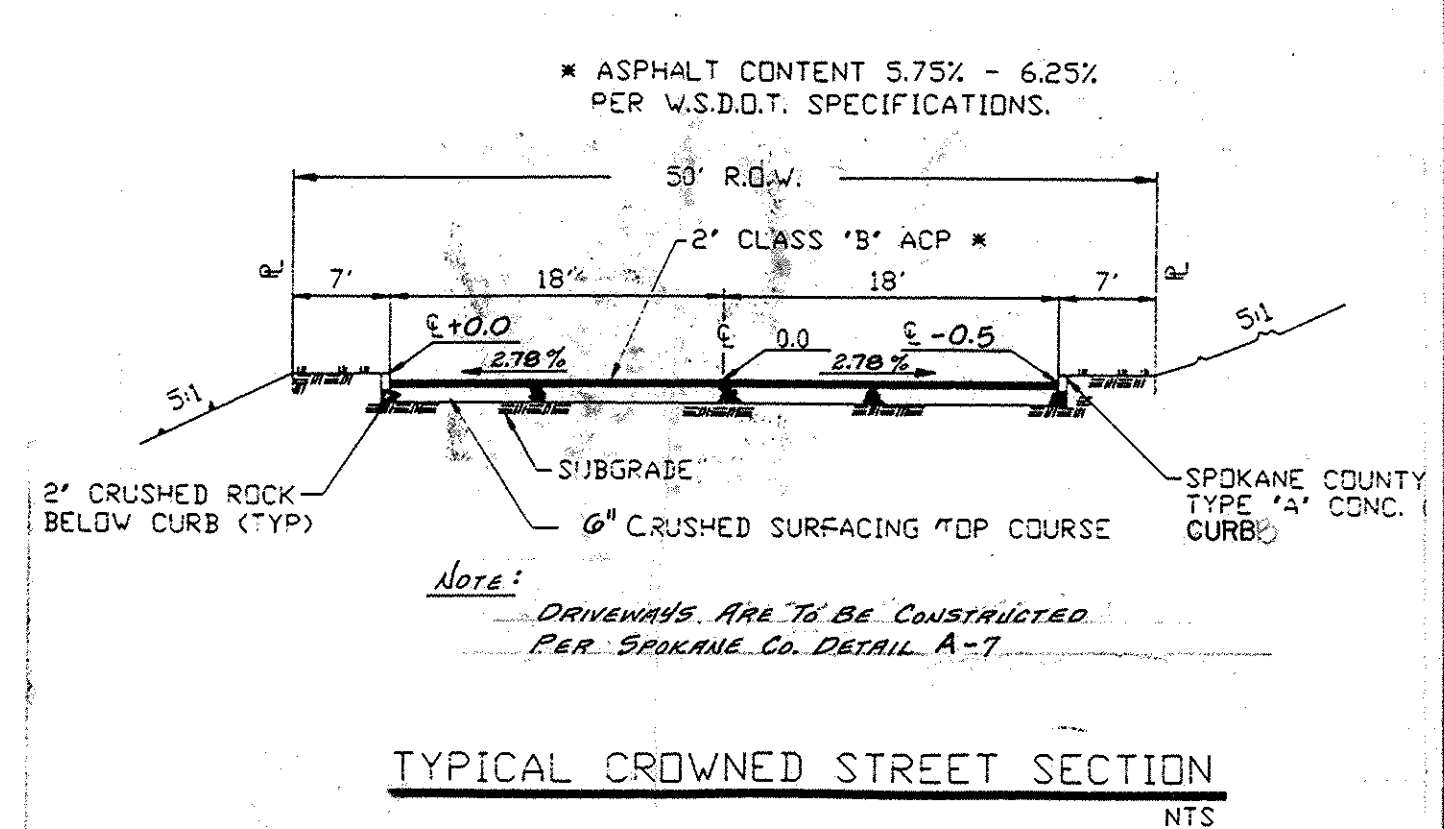


CUL-DE-SAC PROFILE

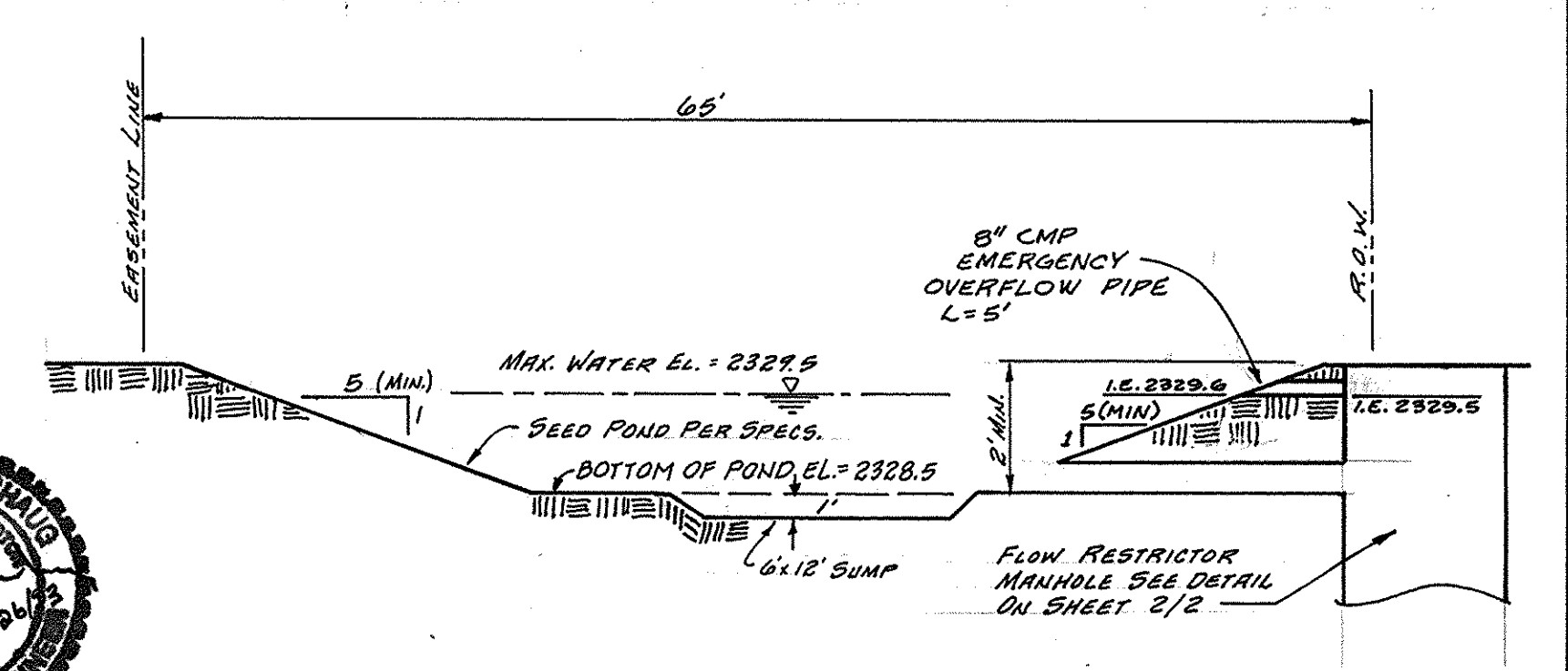
DEVELOPER APPROVAL: *R. Hawley* Nov. 12 1993



DETENTION POND DETAIL

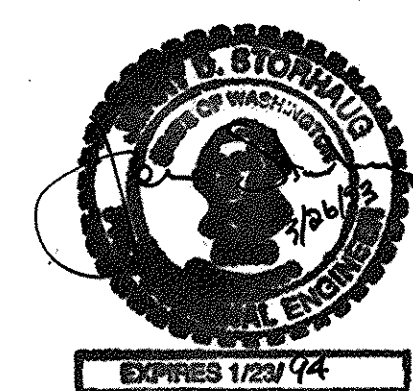


TYPICAL CROWNED STREET SECTION



DETENTION POND SECTION

SEEDING SPECIFICATIONS:
 Grass Seed: Provide fresh, clean, new-crop seed complying with tolerance for purity and germination established by Official Seed Analysts of North America. Provide seed mixture composed of grass species and percentages as follows:
 20 percent Elka Perennial Rye
 20 percent Durar Hard Fescue
 45 percent Cover Sheep/Fescue
 Provide mixture composed of grass seed and fertilizer in percentages as follows:
 Grass Seed: 90 lbs. per acre
 Fertilizer: 16-16-16 timed release composition, 300 lbs. per acre.
 All seeding of slopes shall be done in accordance with the WSDOT 1991 Standard Specifications, Section 8-01.
 Contractor to irrigate seeded areas until seed has germinated and has been accepted by Spokane County.

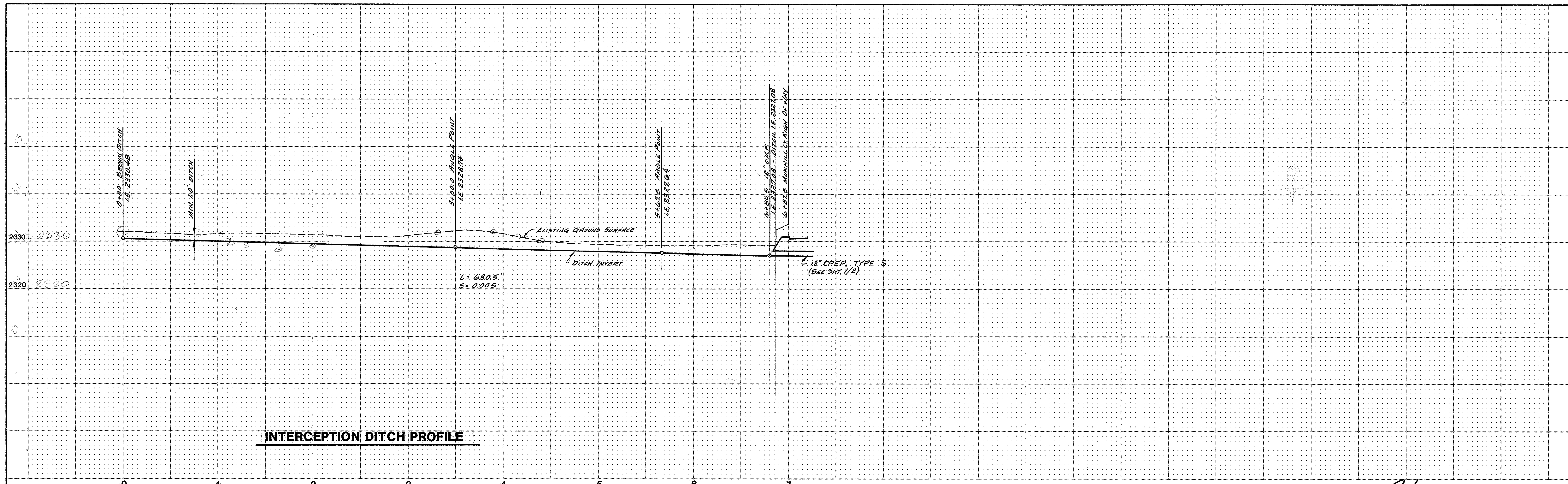


GRADE ORDINANCE LIST				CITY DATUM		SCALE		DATE
FROM	TO	ORD. NO.	DATE	FILE NO.	CBM NO.	HORIZONTAL	VERTICAL	DRAWN
					105	1"=50'	1"=10'	J.L.W.
								CHECKED
								APPROVED

1st ADDITION TO PINE CLIFF

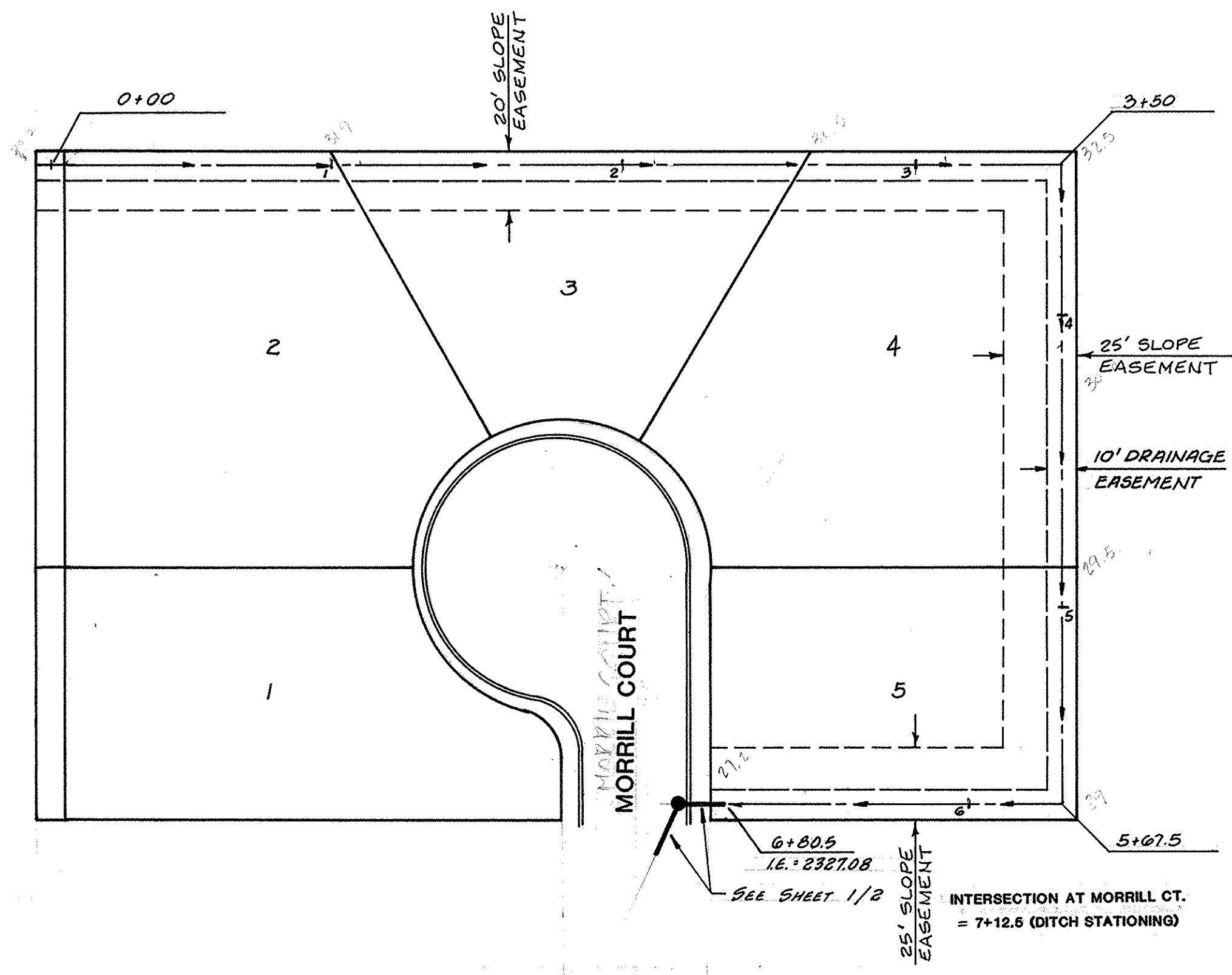
**MORRILL COURT
 STA. 0+00 TO CUL DE SAC**

TYPE OF IMPROVEMENT: STREET	
PROJECT NUMBER	PLAN NUMBER

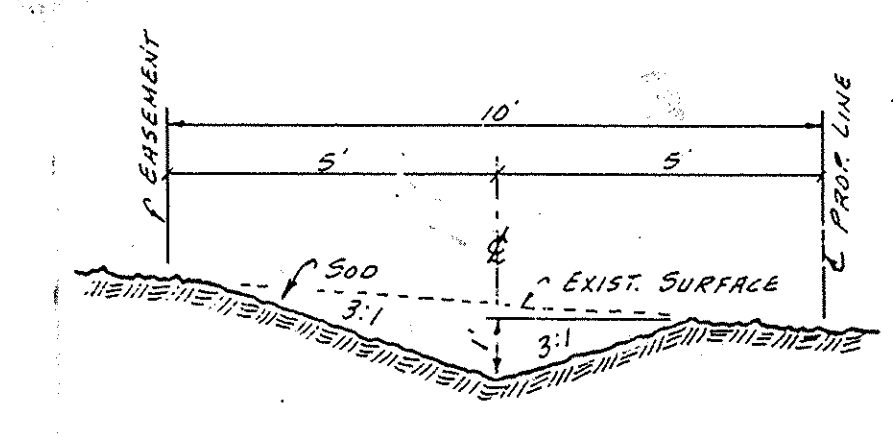


INTERCEPTION DITCH PROFILE

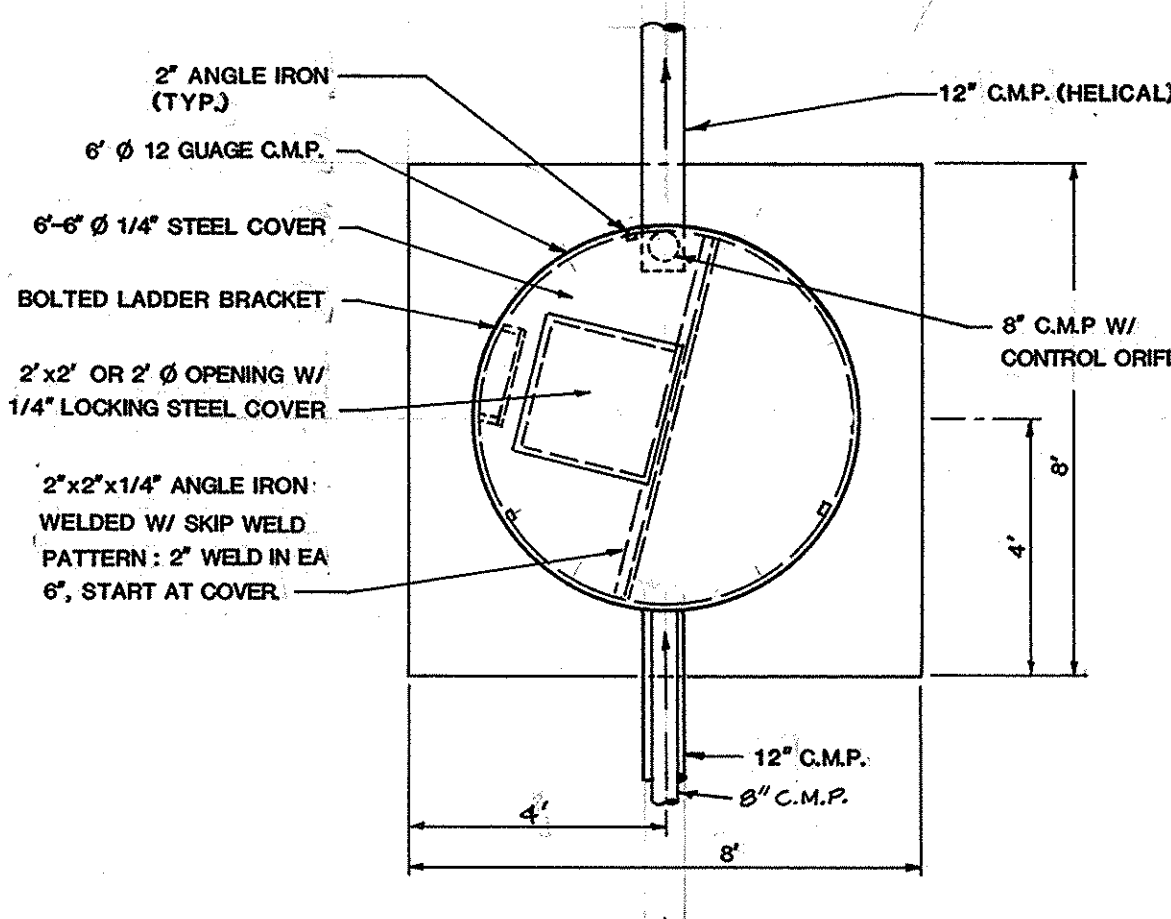
DEVELOPER APPROVAL: *R. Alan Bye Nov. 12 1993*



INTERCEPTION DITCH PLAN

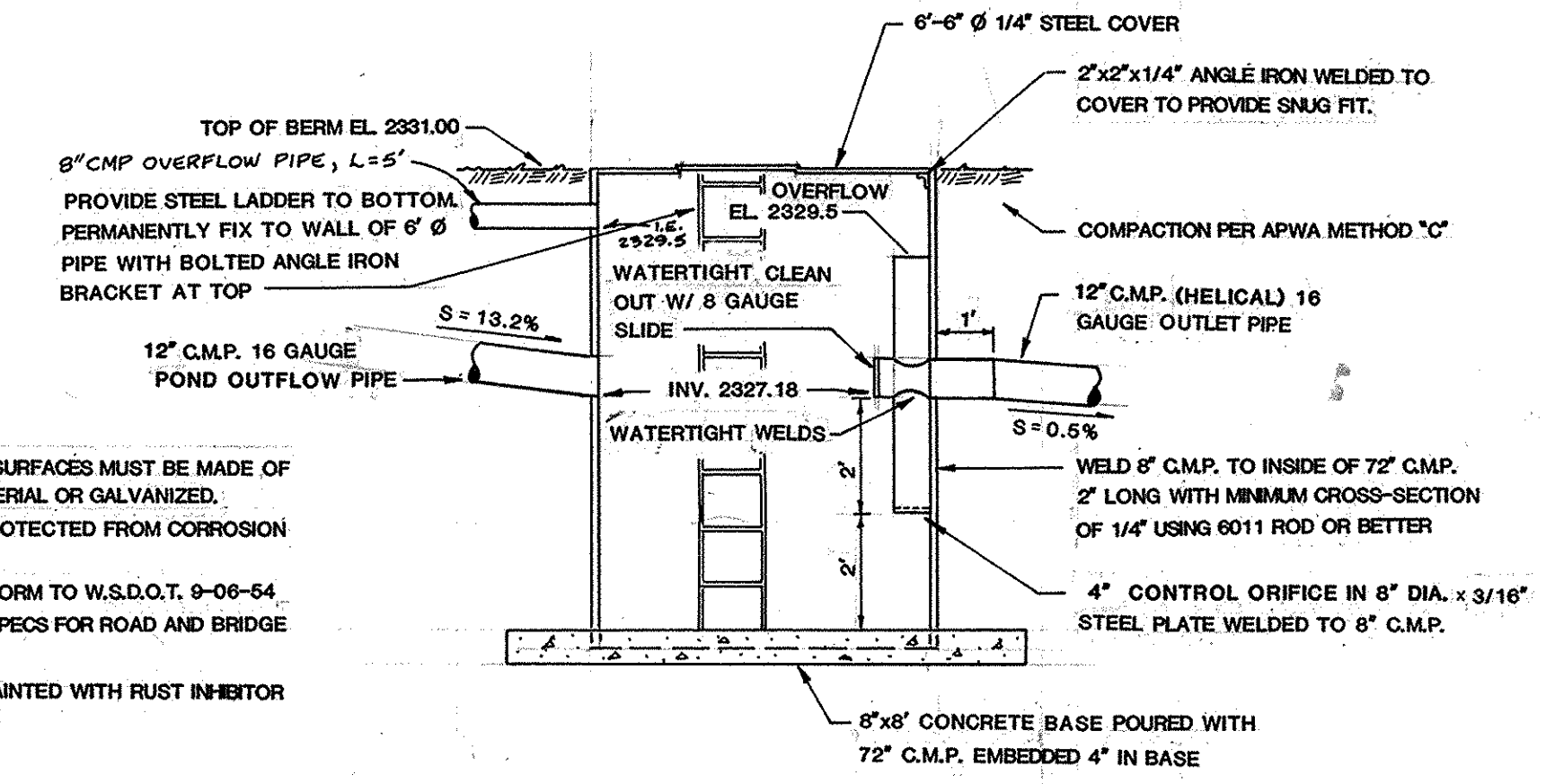


INTERCEPTION DITCH SECTION



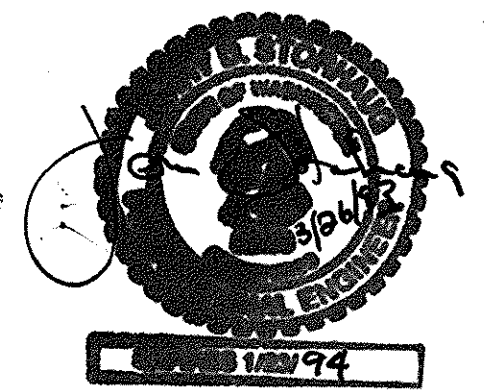
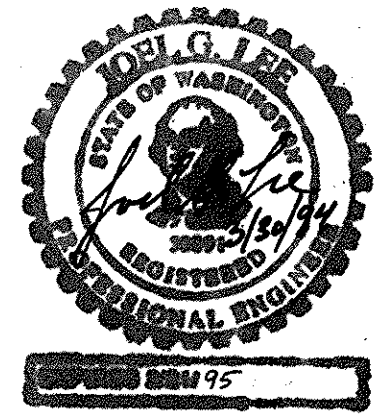
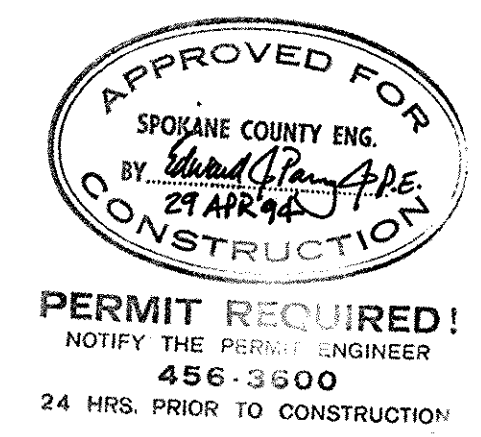
PLAN

NOTES:
 ALL METAL PARTS AND SURFACES MUST BE MADE OF CORROSION RESISTANT MATERIAL OR GALVANIZED.
 ALL WELDS SHALL BE PROTECTED FROM CORROSION AND LEAKAGE.
 ALL WELDS SHALL CONFORM TO W.S.D.O.T. 9-06-54, AND 6-03.3 (2) STANDARD SPECS FOR ROAD AND BRIDGE CONSTRUCTION.
 ALL WELDS SHALL BE PAINTED WITH RUST INHIBITOR PAINT "GALVICON" OR EQUAL.



SECTION

FLOW RESTRICTOR MANHOLE DETAIL



GRADE ORDINANCE LIST					CITY DATUM		SCALE		DATE
FROM	TO	ORD. NO.	DATE	FILE NO.	CBM NO.	ELEVATION	HORIZONTAL	VERTICAL	DRAWN
					105	2310.50	1"=50'	1"=10'	JKW
									CHECKED
									APPROVED

1st ADDITION TO PINE CLIFF

**MORRILL COURT
 STA. 0+00 TO CUL-DE-SAC**

TYPE OF IMPROVEMENT - DRAINAGE	
PROJECT NUMBER	PLAN NUMBER

SHEET 2/2