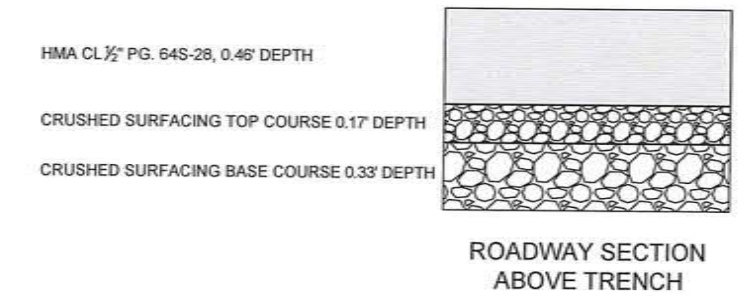
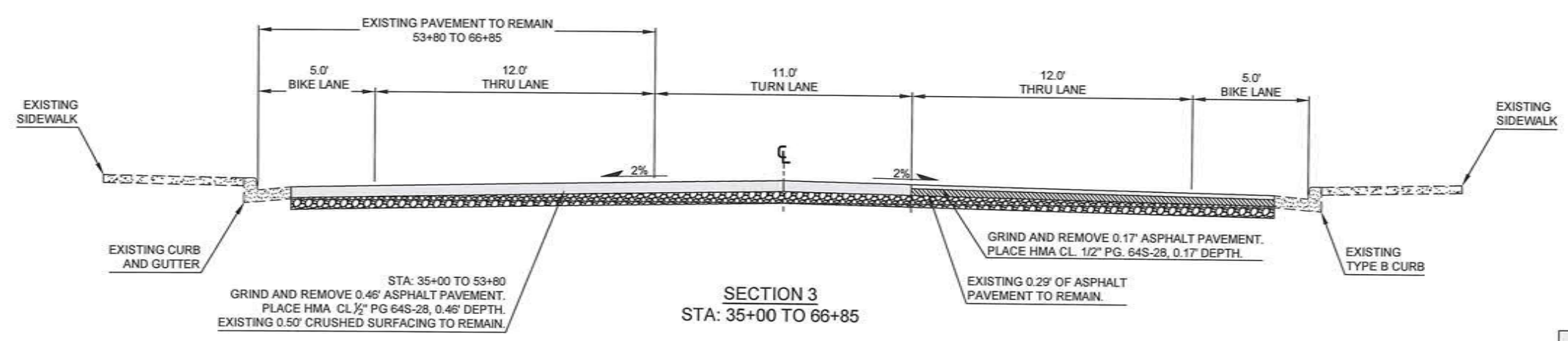
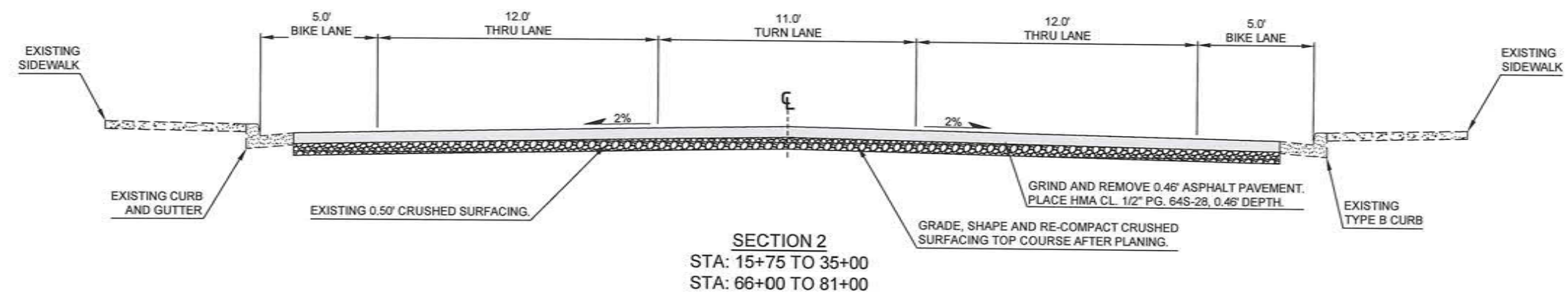
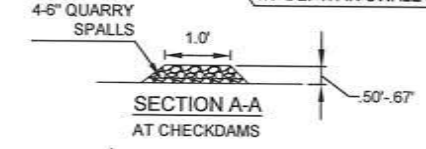
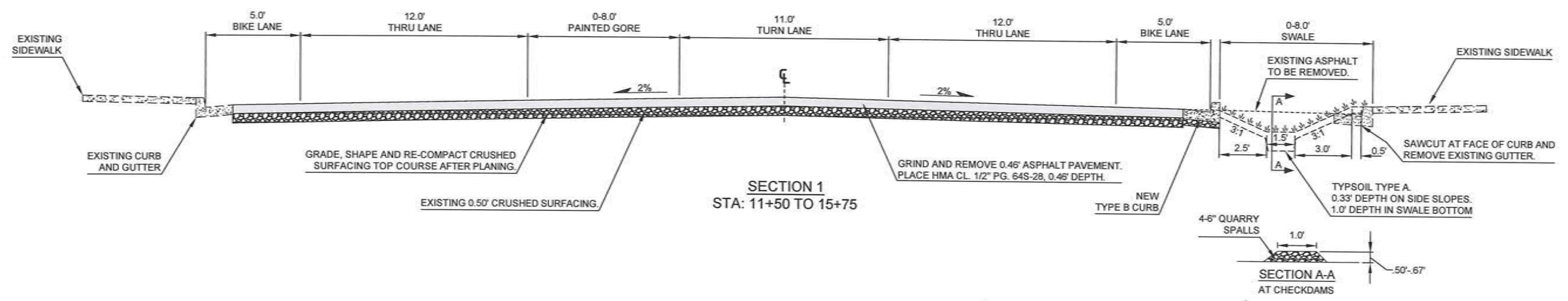


I:_Civil_3D_Projects\CRP3195-SWN224 Mill Road\DRAWINGS\SWN224 Cover and Details.dwg Oct 15, 2019 6:48pm



NO.	DATE	BY	CHKD.	APPR.	REVISION DESCRIPTION

REGION NO.	STATE	FED. AID PROJECT NO.
10	WASH.	STPUL - 3917 (005)
DRAWN BY:	JR	5/4/2019
DESIGNED BY:	JS	5/4/2019
CHECKED BY:	TS	5/4/2019

Spokane County Department of Public Works
 1026 West Broadway Avenue,
 Spokane WA 99260-0170
 (509) 477-3600

APPROVED PROJECT ENGINEER
 Date: 10-15-19

COUNTY ROAD PROJECT No. CRP 3195, CRP 3220, & SWN 224
MILL ROAD STORMWATER RETROFIT
 HASTINGS ROAD TO DARTFORD ROAD
 TYPICAL SECTIONS